

# Actuator

61-  
3440.4/1



<https://eao.com/p/61-3440.4/1>

Your product:

---



## 61-3440.4/1 Actuator

### MOUNTING

**Mounting type:** Panel mounting

### OPERATING-/INDICATION PART

**Lens colour:** Red

**Lens material:** Plastic

**Lens illumination:** non illuminative

**Lens shape:** mushroom-head

**Lens optics:** opaque

### MECHANICAL CHARACTERISTIC

**Switching action:** Maintained

**Tightening torque:** Max. 0.5 Nm

**Weight:** 0.02 kg

### AMBIENT CONDITION

**Operating temperature:** - 25 °C ... + 55 °C

### CERTIFICATE

**REACH:** REACH compliant

**RoHS:** RoHS compliant

### OTHER

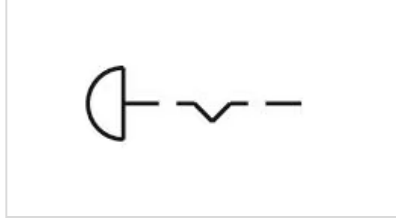
**Short Description:** Actuator, mushroom-head, non illuminative, Red, Plastic, opaque, Maintained

**Housing colour:** Yellow

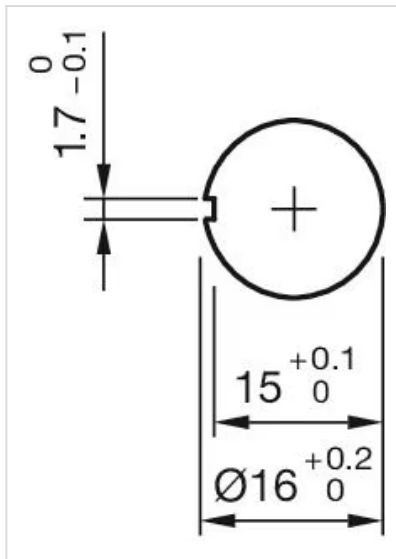
**Housing material:** Plastic

**Marking:** Arrows

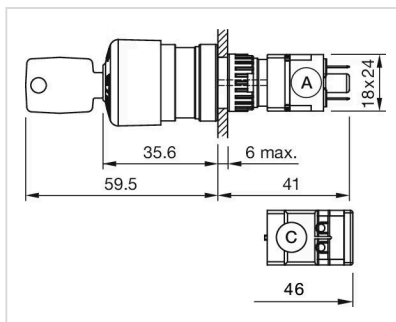
**Wiring diagrams:**



**Mounting cut-outs:**













**Dimension drawings:**



A = Plug-in terminal 2.8 mm x 0.5 mm  
 C = Screw terminal

Where to Buy

	Distributor	Quantity in Stock	
	Sager	277 in stock	<a href="#">Buy</a> 
	Distrelec	272 in stock	<a href="#">Buy</a> 
	Mouser Electronics	177 in stock	<a href="#">Buy</a> 
	RS UK	71 in stock	<a href="#">Buy</a> 
	DigiKey	55 in stock	<a href="#">Buy</a> 

[Show more](#) 

Powered by oemsecrets.com