

Actuator

61-
3440.4/3



<https://www.eao.com/component/61-3440.4/3/en/...>

Your product:



61-3440.4/3 Actuator

MOUNTING

Mounting type: Panel mounting

OPERATING-/INDICATION PART

Lens colour: Red

Lens material: Plastic

Lens illumination: Non illuminated

Lens shape: Mushroom-head

Lens optics: opaque

MECHANICAL CHARACTERISTICS

Switching action: Maintained

Release type: Twist to unlock

Mechanical lifetime: According to DIN/IEC 60512-5-6 and EN/IEC 60947-5-1, 50 000 cycles of operation

Operating force: Max. 65 N

Operating Travel: 10 mm

Tightening torque: Max. 0.5 Nm

Weight: 0.021 kg

AMBIENT CONDITION

Operating temperature: - 25 °C ... + 55 °C

Storage temperature: - 40 °C ... + 85 °C

Shock resistance: Max. 150 m / s², pulse width 11 ms, 3-axis, (semi-sinusoidal as per EN IEC 60068-

2-27)

Vibration resistance: Max. 100 m / s² from 10 Hz ... 500 Hz, 20 cycles, 3-axis (sinusoidal EN IEC 60068-2-6)

Climate resistance: Damp heat, steady: 56 days, + 40 °C/93 % relative humidity, according to EN IEC 60068-2-78
Dry heat: 96 hours, + 65 °C, as per EN IEC 60068-2-2
Low temperature: 96 hours, – 25 °C (as per EN IEC 60068-2-1)) UV test, 56 days (EN 60068-2-5:1999)

CERTIFICATE

Approbations: CB (EN 60947), UL NISD (cULus, UL EU) LISTED E-File-Nr.: E341760

Conformities: CE, UKCA

REACH: REACH compliant

RoHS: RoHS compliant

OTHER

Short Description: Actuator, Mushroom-head, Non illuminated, Red, Plastic, opaque, Maintained, Twist to unlock

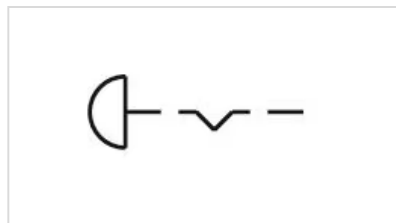
Housing colour: Yellow

Housing material: Plastic

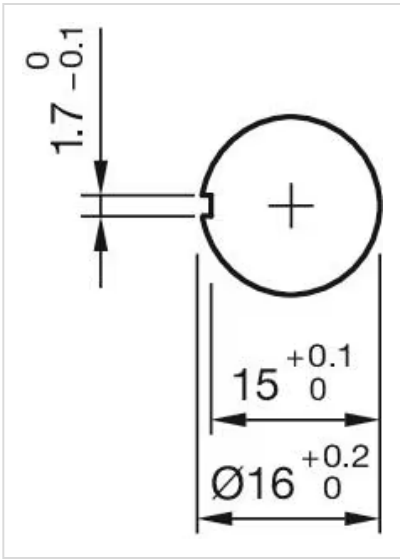
Marking: Arrows

Hints: Application as per DIN EN ISO 13850 and EN 60204-1

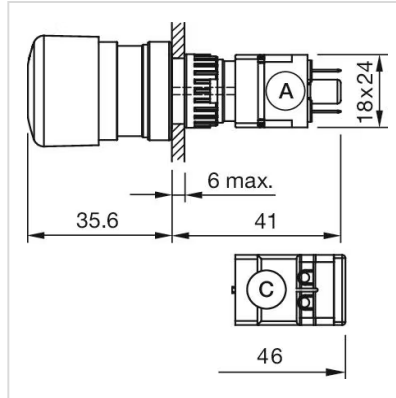
Wiring diagrams:



Mounting cut-outs:



Dimension drawings:



A = Plug-in terminal 2.8 mm x 0.5 mm
 C = Screw terminal