

# Actuator

61-  
3440.4/8



<https://www.eao.com/component/61-3440.4/8/en/...>

Your product:

---



## 61-3440.4/8 Actuator

### MOUNTING

**Mounting type:** Panel mounting

### OPERATING-/INDICATION PART

**Lens colour:** Grey

**Lens material:** Plastic

**Lens illumination:** Non illuminated

**Lens shape:** Mushroom-head

**Lens optics:** opaque

### MECHANICAL CHARACTERISTICS

**Switching action:** Maintained

**Release type:** Twist to unlock

**Tightening torque:** Max. 0.5 Nm

**Weight:** 0.02 kg

### AMBIENT CONDITION

**Operating temperature:** - 25 °C ... + 55 °C

### CERTIFICATE

**REACH:** REACH compliant

**RoHS:** RoHS compliant

## OTHER

**Short Description:** Actuator, Mushroom-head, Non illuminated, Grey, Plastic, opaque, Maintained, Twist to unlock

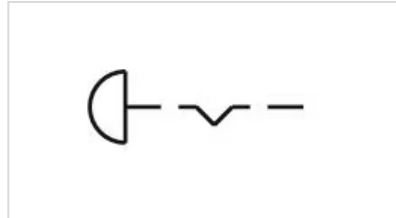
**Housing colour:** Grey

**Housing material:** Plastic

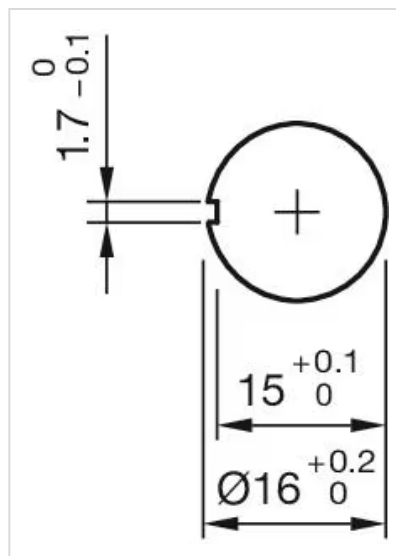
**Marking:** Arrows

**Product attributes:** Twist to unlock clockwise

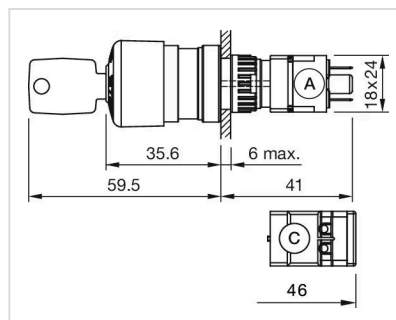
**Wiring diagrams:**



**Mounting cut-outs:**



**Dimension drawings:**



A = Plug-in terminal 2.8 mm x 0.5 mm

C = Screw terminal