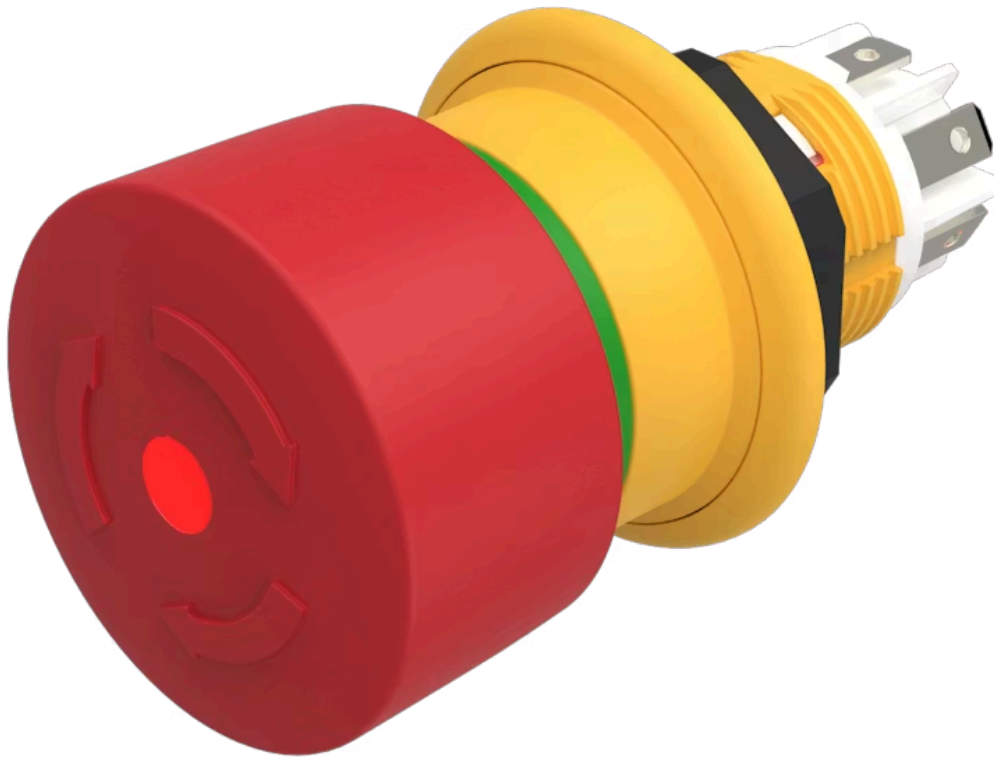


# Actuator

61-  
6451.4247



<https://www.eao.com/component/61-6451.4247/en...>

Your product:

---



## 61-6451.4247 Actuator

### FRONT

**Front dimension:** Ø 27 mm

**Front form:** Round

### MOUNTING

**Mounting type:** Panel mounting

### OPERATING-/INDICATION PART

**Lens colour:** Red

**Lens material:** Plastic

**Lens illumination:** Illuminated

**Lens shape:** Mushroom-head

**Illumination colour:** Red

### ELECTRICAL CHARACTERISTICS

**Switching voltage and switching current:**

|  |        |
|--|--------|
| Alternating current usage category AC-15 according to EN IEC 60947-5-1 |        |
| Voltage  | 50 VAC |
| Current  | 0,2 A  |
| DC usage category DC-13 according to EN IEC 60947-5-1                  |        |
| Voltage  | 50 VDC |
| Current  | 0,2 A  |

**Contacts:** 1 NC

**Contact resistance:** At 20 mV, 100 mA (IEC 60512-2-1) Insulation resistance  
2 MΩ between the open contacts  
7 MΩ towards the panel (DIN IEC 60512-3-1)

**Operating voltage:** 6 - 32 V DC

|  |  |          |
|--|--|----------|
| <b>Rated Operational Voltage Ue:</b>         | 50 VAC / DC, according to EN / IEC 60947-5-1   |          |
| <b>Rated impulse withstand voltage Uimp:</b> | 0.5 kV, according to EN / IEC 60947-1  |          |
| <b>Rated insulation voltage Ui:</b>          | 250 VAC/DC according to EN IEC 60947-1   |          |
| <b>Rated short-circuit current caused:</b>   | 1 000 A, type of short-circuit device 2 A gG (EN 60947-5-1)                            |          |
| <b>Recommended minimum operational data:</b> | Voltage  | 1 VAC/DC |
|  | Current  | 1 mA     |
| <b>Switching rating:</b>                     | 50 V AC/DC @ 0,2 A   |          |
| <b>Electrical lifetime:</b>                  | ≥20 000 cycles of operation  |          |
| <b>Electric strength:</b>                    | 500 VAC, 50 Hz, 1 minute according to DIN IEC 60512-2                                  |          |
| <b>Overvoltage category:</b>                 | II, according to EN / IEC 61058-1  |          |
| <b>Pollution degree:</b>                     | 3, according to EN IEC 60947-1   |          |
| <b>Standards:</b>                            | According to EN 60947-5-1, EN 60947-5-5, DIN EN ISO 13850, EN IEC 60204                |          |
| <b>Thermal current Ith:</b>                  | 0.5 A (EN IEC 60947-5-1 / max. current in continuous operation at max. + 55 degrees C) |          |

## MECHANICAL CHARACTERISTICS

|                             |                                |
|-----------------------------|--------------------------------|
| <b>Terminal:</b>            | Plug-in terminal, 2.8 x 0.5 mm |
| <b>Switching action:</b>    | Maintained                     |
| <b>Release type:</b>        | Twist to unlock                |
| <b>Mechanical lifetime:</b> | ≥20 000 cycles of operation    |
| <b>Operating force:</b>     | 30 N ±4 N                      |
| <b>Operating Travel:</b>    | 4.2 mm                         |
| <b>Tightening torque:</b>   | Max. 0.8 Nm                    |
| <b>Weight:</b>              | 0.018 kg                       |

## AMBIENT CONDITION

|                               |  |
|-------------------------------|--|
| <b>IP Protection:</b>         | IP67 front side, according to EN IEC 60529/A1:2010-04, IP69K front side, according to EN IEC 60529/A1:2010-04, Panel surface roughness Ra1.6 |
| <b>IK Protection:</b>         | IK06   |
| <b>Operating temperature:</b> | - 25 °C ... + 55 °C  |
| <b>Storage temperature:</b>   | - 40 °C ... + 85 °C  |
| <b>Shock resistance:</b>      | Max. 150 m / s <sup>2</sup> , pulse width 11 ms, 3-axis, (semi-sinusoidal as per EN IEC 60068-2-27)  |

**Vibration resistance:** Max. 100 m / s<sup>2</sup> from 10 Hz ... 500 Hz, 20 cycles, 3-axis (sinusoidal EN IEC 60068-2-6)

**Climate resistance:** Damp heat, steady: 56 days, + 40 °C/93 % relative humidity, according to EN IEC 60068-2-78  
 Dry heat: 96 hours, + 65 °C, as per EN IEC 60068-2-2  
 Low temperature: 96 hours, - 25 °C (as per EN IEC 60068-2-1) ) UV test, 56 days (EN 60068-2-5:1999)

**CERTIFICATE**

**Approbations:** CB (EN 60947), UL NISD (cULus, UL EU) LISTED E-File-Nr.: E341760

**Conformities:** CE, UKCA

**REACH:** REACH compliant

**RoHS:** RoHS compliant

**OTHER**

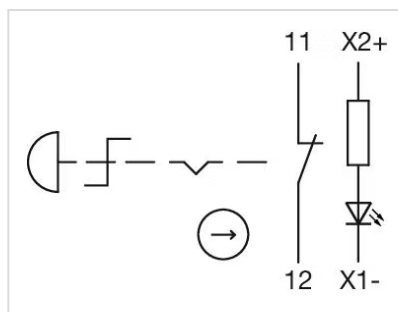
**Short Description:** Actuator, Ø 27 mm, Mushroom-head, Illuminated, Red, Plastic, Round, 1 NC, Maintained, Plug-in terminal, 2.8 x 0.5 mm, Twist to unlock, Red

**Kind of illumination:** LED with polarity reversal protection

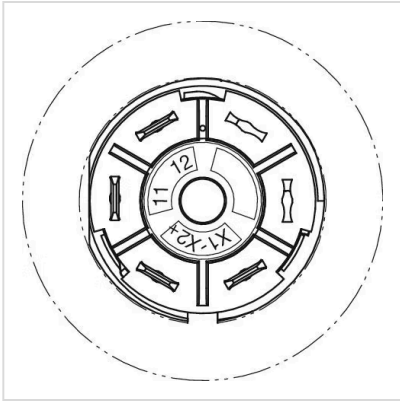
**Dimension:** Ø 27 mm

**Hints:** Application as per DIN EN ISO 13850 and EN 60204-1  
 Seal Part No. 61-9900  
 Anti-twist ring No. 51-910  
 Fixing nut No. 51-991  
 Plug-in terminals 2.8 mm x 0.5 mm are solderable without UL certificate  
 Front plate thickness 1 ... 4 mm with an anti-rotation ring  
 Front plate thickness 1 ... 6 mm without an anti-rotation ring

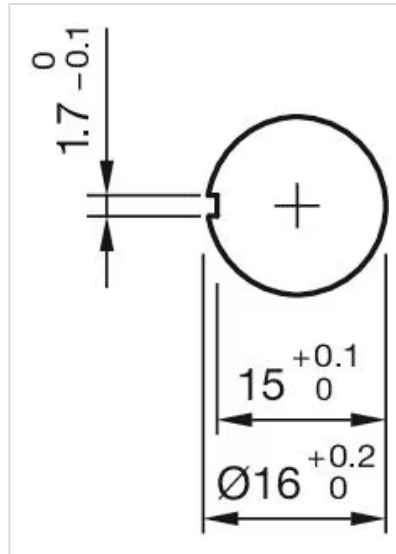
**Wiring diagrams:**



**Component layouts:**



**Mounting cut-outs:**



**Dimension drawings:**

