

# Actuator

61-  
6461.4077



<https://eao.com/p/61-6461.4077>

Your product:

---



## 61-6461.4077 Actuator

### FRONT

**Front dimension:** Ø 40 mm

**Front form:** round

### MOUNTING

**Mounting type:** Panel mounting

### OPERATING-/INDICATION PART

**Lens colour:** Red

**Lens material:** Plastic

**Lens illumination:** non illuminative

**Lens shape:** mushroom-head

### ELECTRICAL CHARACTERISTICS

**Contacts:** 1 NC / 1 NO

**Contact resistance:** At 20 mV, 100 mA (IEC 60512-2-1) Insulation resistance  
2 MΩ between the open contacts  
7 MΩ towards the panel (DIN IEC 60512-3-1)

**Switching voltage and switching current:**

|   |        |
|---|--------|
| Alternating current usage category AC-15<br>according to EN IEC 60947-5-1 |        |
| Voltage   | 50 VAC |
| Current   | 0,2 A  |
| DC usage category DC-13<br>according to EN IEC 60947-5-1                  |        |
| Voltage   | 50 VDC |
| Current   | 0,2 A  |

**Rated Operational Voltage Ue:** 50 VAC / DC, according to EN / IEC 60947-5-1

**Rated impulse withstand voltage Uimp:** 0.5 kV, according to EN / IEC 60947-1

|  |  |
|--|--|
| <b>Rated insulation voltage Ui:</b>          | 250 VAC/DC according to EN IEC 60947-1   |
| <b>Rated short-circuit current caused:</b>   | 1 000 A, type of short-circuit device 2 A gG (EN 60947-5-1)                            |
| <b>Recommended minimum operational data:</b> | Voltage 1 VAC/DC<br>Current 1 mA   |
| <b>Electrical lifetime:</b>                  | ≥20 000 cycles of operation  |
| <b>Electric strength:</b>                    | 500 VAC, 50 Hz, 1 minute according to DIN IEC 60512-2                                  |
| <b>Overvoltage category:</b>                 | II, according to EN / IEC 61058-1  |
| <b>Pollution degree:</b>                     | 3, according to EN IEC 60947-1   |
| <b>Protection class:</b>                     | II, according to EN / IEC 60947-5  |
| <b>Standards:</b>                            | According to EN 60947-5-1, EN 60947-5-5, DIN EN ISO 13850, EN IEC 60204                |
| <b>Thermal current I<sub>th</sub>:</b>       | 0.5 A (EN IEC 60947-5-1 / max. current in continuous operation at max. + 55 degrees C) |

## MECHANICAL CHARACTERISTIC

|                             |                                |
|-----------------------------|--------------------------------|
| <b>Terminal:</b>            | Plug-in terminal, 2.8 x 0.5 mm |
| <b>Switching action:</b>    | Maintained                     |
| <b>Release type:</b>        | Twist to unlock                |
| <b>Mechanical lifetime:</b> | ≥20 000 cycles of operation    |
| <b>Operating force:</b>     | 30 N ±4 N                      |
| <b>Operating Travel:</b>    | 4.2 mm                         |
| <b>Tightening torque:</b>   | Max. 0.8 Nm                    |
| <b>Weight:</b>              | 0.065 kg                       |

## AMBIENT CONDITION

|                               |  |
|-------------------------------|--|
| <b>IP Protection:</b>         | IP67 front side, according to EN IEC 60529/A1:2010-04, IP69K front side, according to EN IEC 60529/A1:2010-04, Panel surface roughness Ra1.6 |
| <b>IK Protection:</b>         | IK06   |
| <b>Operating temperature:</b> | - 25 °C ... + 55 °C  |
| <b>Storage temperature:</b>   | - 40 °C ... + 85 °C  |
| <b>Shock resistance:</b>      | Max. 150 m / s <sup>2</sup> , pulse width 11 ms, 3-axis, (semi-sinusoidal as per EN IEC 60068-2-27)  |
| <b>Vibration resistance:</b>  | Max. 100 m / s <sup>2</sup> from 10 Hz ... 500 Hz, 20 cycles, 3-axis (sinusoidal EN IEC 60068-2-6)   |
| <b>Climate resistance:</b>    | Damp heat, steady: 56 days, + 40 °C/93 % relative humidity, according to EN IEC 60068-2-78   |

Dry heat: 96 hours, + 65 °C, as per EN IEC 60068-2-2  
Low temperature: 96 hours, – 25 °C (as per EN IEC 60068-2-1) ) UV test, 56 days  
(EN 60068-2-5:1999)

## CERTIFICATE

|                      |  |
|----------------------|--|
| <b>Approbations:</b> | CB (EN 60947), UL NISD (cULus, UL EU) LISTED E-File-Nr.: E341760 |
| <b>Conformities:</b> | CE, UKCA   |
| <b>REACH:</b>        | REACH compliant  |
| <b>RoHS:</b>         | RoHS compliant   |

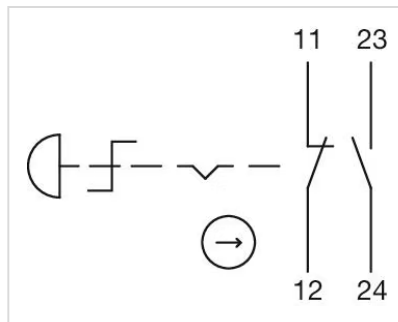
## OTHER

**Short Description:** Actuator, Ø 40 mm, mushroom-head, non illuminative, Red, Plastic, round, 1 NC / 1 NO, Maintained, Plug-in terminal, 2.8 x 0.5 mm, Twist to unlock

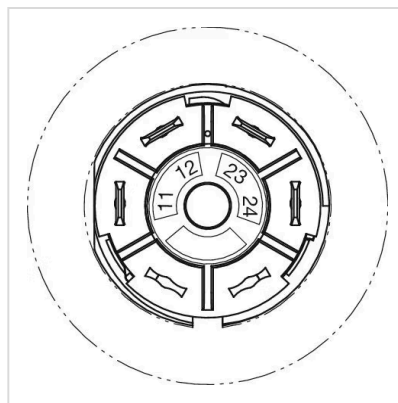
**Dimension:** Ø 40 mm

**Hints:** Application as per DIN EN ISO 13850 and EN 60204-1, Seal Part No. 61-9900, Anti-twist ring No. 51-910, Fixing nut No. 51-991, Plug-in terminals 2.8 mm x 0.5 mm are solderable without UL certificate, Front plate thickness 1 ... 4 mm with an anti-rotation ring, Front plate thickness 1 ... 6 mm without an anti-rotation ring

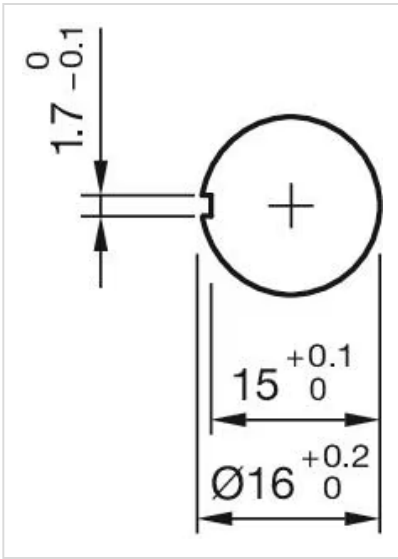
### Wiring diagrams:



### Component layouts:



### Mounting cut-outs:



Dimension drawings:

