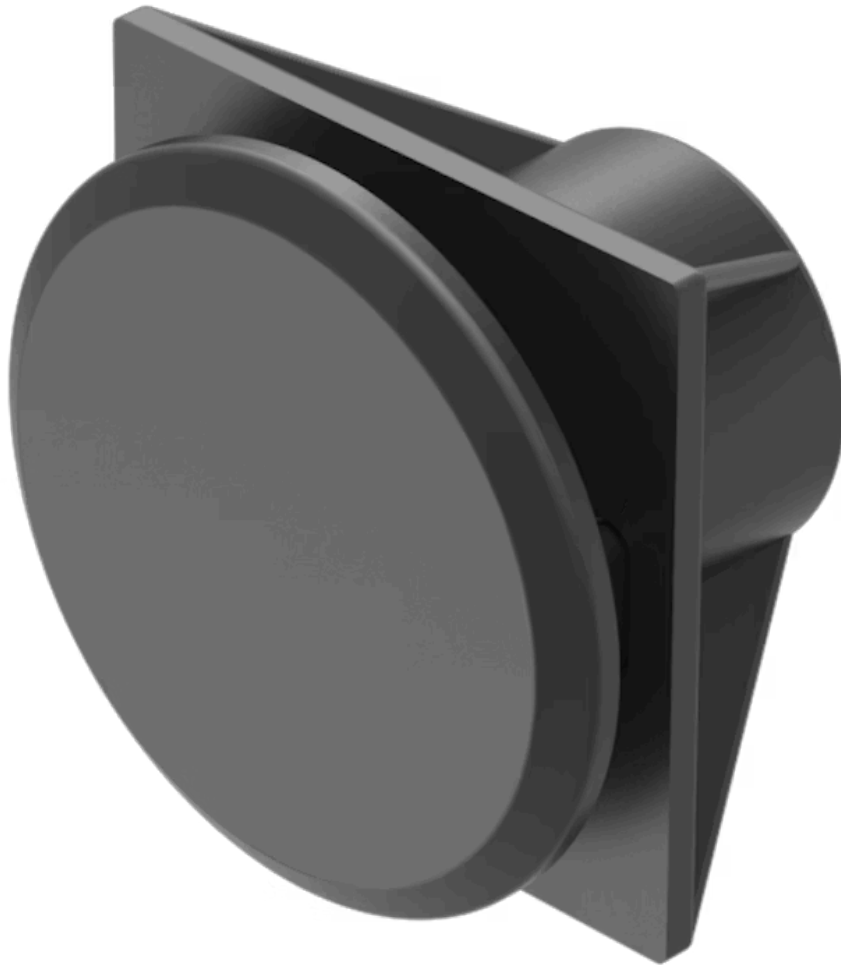


# Blind plug

61-9453.0



<https://www.eao.com/component/61-9453.0/en/bl...>

Your product:

---



## 61-9453.0 Blind plug

### FRONT

**Colour:** Black

### MOUNTING

**Mounting cut-out:** Ø 22.5 mm

### ELECTRICAL CHARACTERISTICS

**Forward voltage:**

### MECHANICAL CHARACTERISTICS

**Weight:** 0.006 kg

### OTHER

**Short Description:** Blind plug, Ø 25 mm, Ø 22.5 mm, Plastic, Black

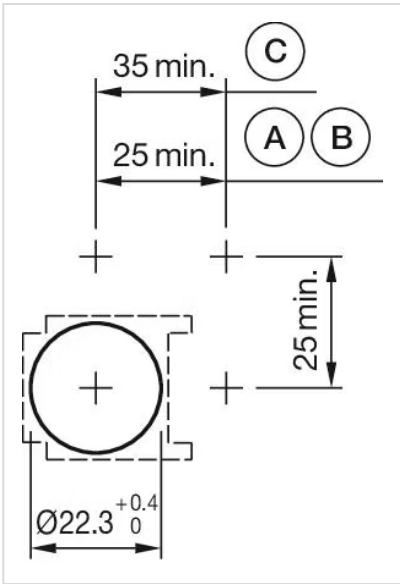
**Titel Accessory:** Blind plug

**Dimension:** Ø 25 mm

**Material:** Plastic

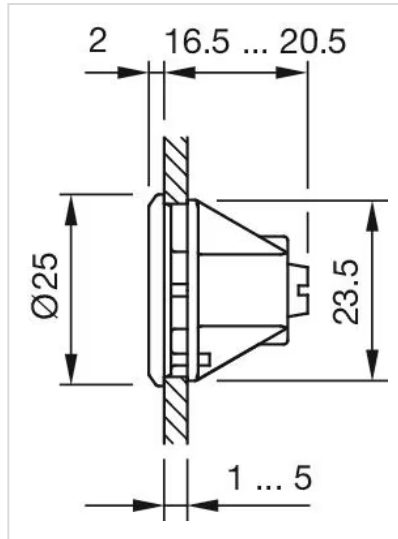
**Hints:** Please note that bigger minimum distances are necessary  
Only for mounting in round hole without D-shape (Part No. 61-9453.0)

**Mounting cut-outs:**



A = Solder/Plug-in terminal 2.8 mm x 0.5 mm  
 B = Solder terminal  
 C = Screw terminal

**Dimension drawings:**



for Part No. 61-9453.0