

Switching element

70-101.0



<https://www.eao.com/p/70-101.0>

Your product:



70-101.0 Switching element

ELECTRICAL CHARACTERISTICS

Switching voltage and switching current:	max. 12 VDC, 50 mA min. 1 VDC, 10 mA
Contacts:	1 NO
Switching rating:	42 V @ 0,1 A
Electrical lifetime:	500 000 cycles of operation at 5VDC, 1mA
Electric strength:	250 VAC, 1 minute

MECHANICAL CHARACTERISTICS

Terminal:	PCB terminal
Contact material:	Silver
Switching action:	Momentary
Switching system:	Short-travel element
Switching system:	Short-travel snap-action switching system with two independent contact points and tactile operation Guarantees reliable switching even of very light loads. 1 normally open contact
Mechanical lifetime:	500 000 cycles of operation with decor foil
Operating force:	5 N \pm 2 N with decor foil, >50 N max. on button centre with test plunger, according to DIN 42115
Operating Travel:	0.3 mm
Weight:	0.001 kg

AMBIENT CONDITION

IP Protection:	IP65 (front side with overlay foil)
Operating temperature:	- 20 °C ... + 70 °C

Storage temperature: - 30 °C ... + 85 °C

CERTIFICATE

Conformities: CE, UKCA, 2011 / 65 / EC (RoHS)

REACH: REACH compliant

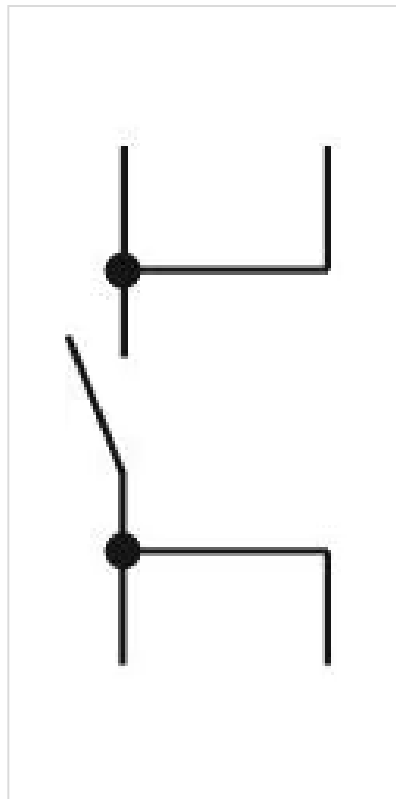
RoHS: RoHS compliant

OTHER

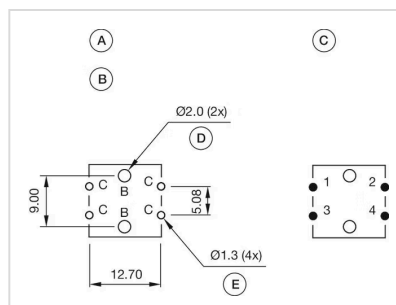
Short Description: Switching element, Short-travel element, 42 V @ 0,1 A, Silver, 1 NO, PCB terminal

Product attributes: Operation with spacing cap

Wiring diagrams:



Component layouts:



A = Switching element without illumination with
B = Drilling plan (component side)
C = Occupancy plan (component side)
D = Hole for centering pins non-metallic
E = Hole for switching element

Dimension drawings:

