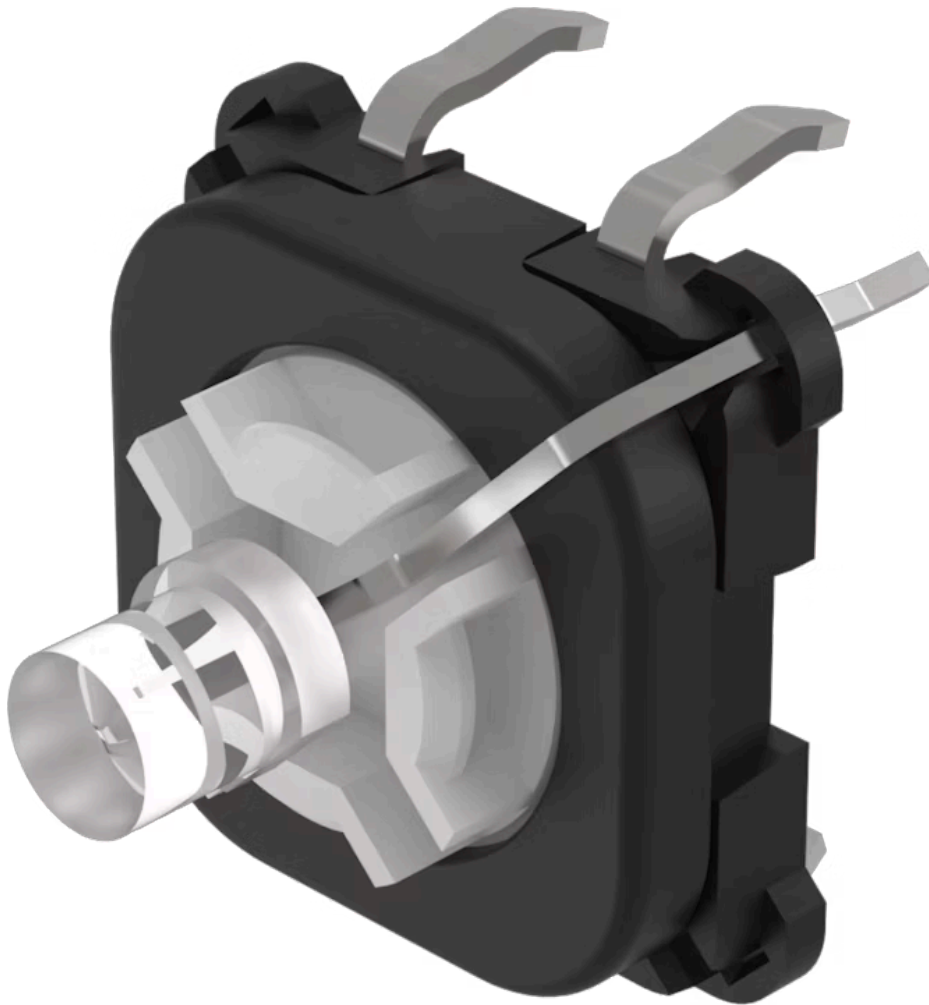


Switching element

70-220.9S



<https://www.eao.com/component/70-220.9S/en/sw...>

Your product:



70-220.9S Switching element

OPERATING-/INDICATION PART

Illumination colour: White

ELECTRICAL CHARACTERISTICS

Contacts: 1 NO

Switching rating: 42 V DC @ 0,1 A

Lumi. Intensity: 500 mcd

MECHANICAL CHARACTERISTICS

Terminal: PCB terminal

Contact material: Gold

Switching action: Momentary

Switching system: Short-travel element

Weight: 0.001 kg

CERTIFICATE

REACH: REACH compliant

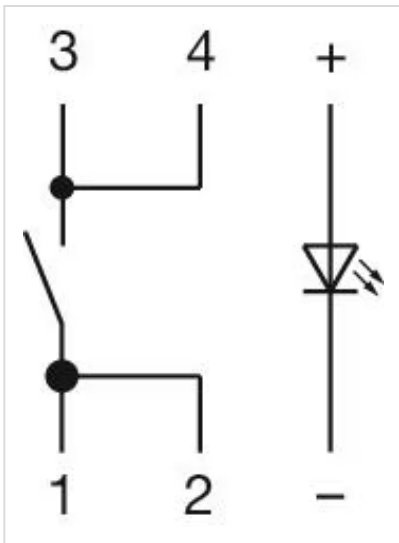
RoHS: RoHS compliant

OTHER

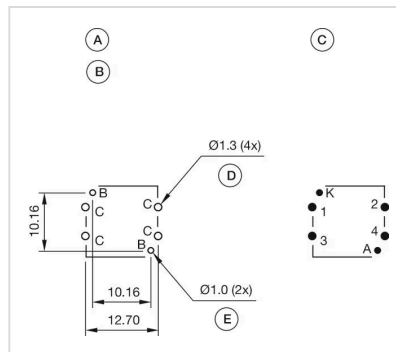
Short Description: Switching element, Short-travel element, 42 V DC @ 0,1 A, Gold, 1 NO, PCB terminal

Hints: The customer has to decide what series resistor shall be used to the LED

Wiring diagrams:



Component layouts:



- A = Switching element with illumination
- B = Single LED
- C = Drilling plan (component side)
- D = Hole for switching element, pad max. Ø 2.5 mm
- E = Hole for LED

Dimension drawings:

