

Actuator

704.001.5



<https://www.eao.com/component/704.001.5/en/ac...>

Your product:



704.001.5 Actuator

FRONT

Front dimension: Ø 29 mm

Front form: Round

MOUNTING

Design: Raised

Mounting type: Panel mounting

OPERATING-/INDICATION PART

Lens cap colour: Green

Lens cap material: Plastic

Lens cap optical effect: transparent

Marking cap colour: Colourless

Marking cap optics: transparent

Marking cap surface: ribbed

ELECTRICAL CHARACTERISTICS

Standards: The switches comply with the "Standards for low-voltage switching devices" DIN EN 60947-1

MECHANICAL CHARACTERISTICS

Terminal: Screw terminal

Weight: 0.036 kg

AMBIENT CONDITION

IP Protection:	IP65 front side
Operating temperature:	- 40 °C ... + 55 °C
Storage temperature:	- 40 °C ... + 85 °C

CERTIFICATE

REACH:	REACH compliant
RoHS:	RoHS compliant

OTHER

Short Description:	Actuator, Ø 29 mm, Round, Screw terminal
Housing colour:	Grey
Housing material:	Plastic
Wiring diagrams:	



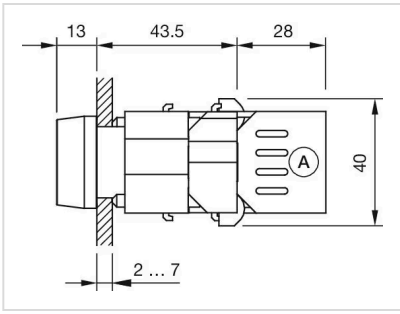
Mounting cut-outs:



A = Screw terminal
 B = Push-in terminal (PIT)



Dimension drawings:



A = Screw terminal

