

# Actuator

704.001.6



<https://www.eao.com/component/704.001.6/en/ac...>

Your product:

---



## 704.001.6 Actuator

### FRONT

**Front dimension:** Ø 29 mm

**Front form:** Round

### MOUNTING

**Design:** Raised

**Mounting type:** Panel mounting

### OPERATING-/INDICATION PART

**Lens cap colour:** Blue

**Lens cap material:** Plastic

**Lens cap optical effect:** transparent

**Marking cap colour:** Colourless

**Marking cap optics:** transparent

**Marking cap surface:** ribbed

### ELECTRICAL CHARACTERISTICS

**Standards:** The switches comply with the "Standards for low-voltage switching devices" DIN EN 60947-1

### MECHANICAL CHARACTERISTICS

**Terminal:** Screw terminal

**Weight:** 0.036 kg

## AMBIENT CONDITION

<b>IP Protection:</b>	IP65 front side
<b>Operating temperature:</b>	- 40 °C ... + 55 °C
<b>Storage temperature:</b>	- 40 °C ... + 85 °C

## CERTIFICATE

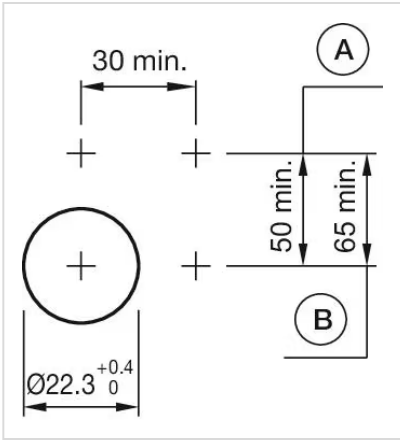
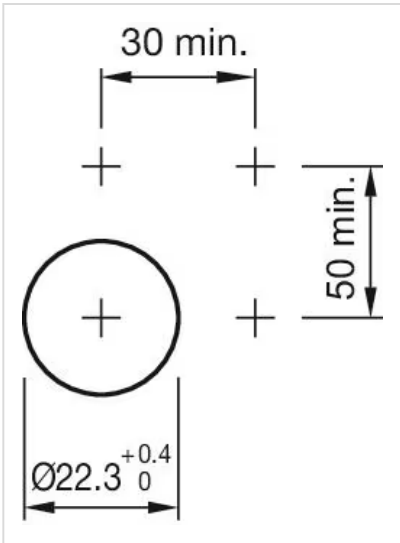
<b>REACH:</b>	REACH compliant
<b>RoHS:</b>	RoHS compliant

## OTHER

<b>Short Description:</b>	Actuator, Ø 29 mm, Round, Screw terminal
<b>Housing colour:</b>	Grey
<b>Housing material:</b>	Plastic
<b>Wiring diagrams:</b>	

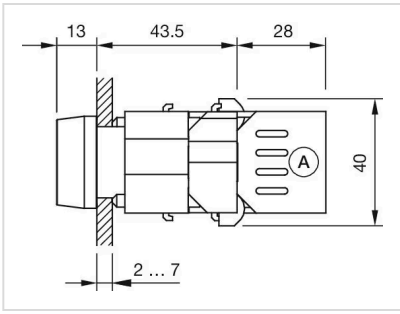


**Mounting cut-outs:**



A = Screw terminal  
 B = Push-in terminal (PIT)

**Dimension drawings:**



A = Screw terminal

