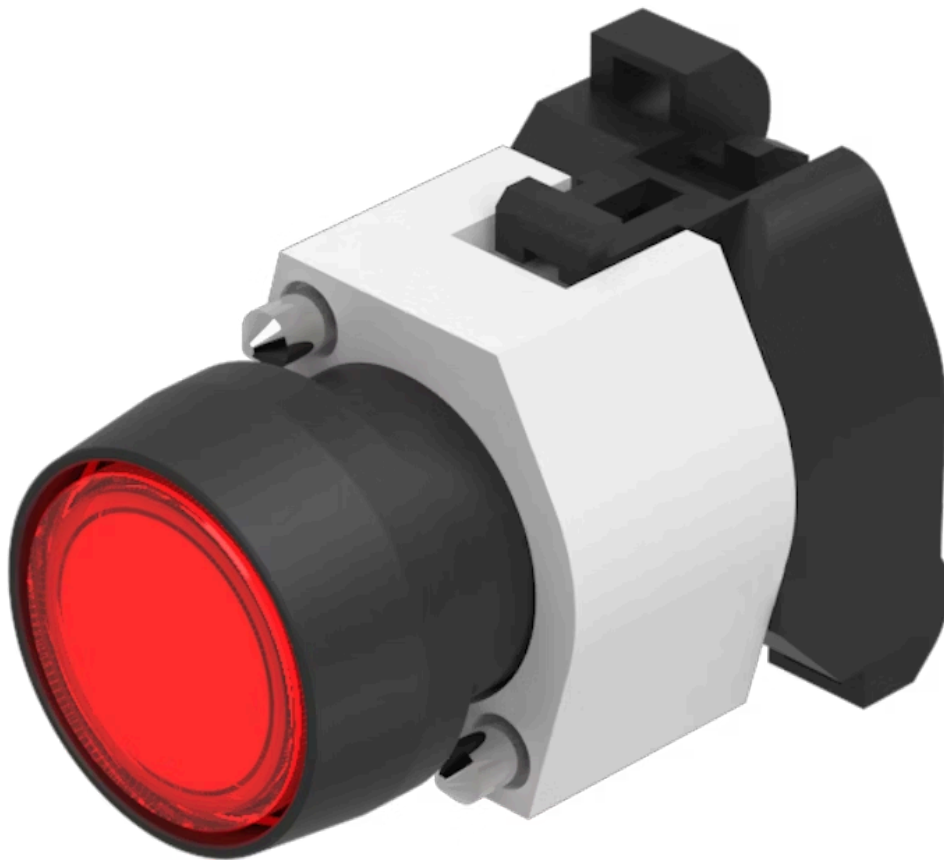


# Actuator

704.006.2



<https://www.eao.com/p/704.006.2>

Your product:

---



## 704.006.2 Actuator

### FRONT

<b>Front dimension:</b>	Ø 29 mm
<b>Front form:</b>	Round
<b>Front bezel colour:</b>	Black
<b>Front bezel material:</b>	Plastic

### MOUNTING

<b>Design:</b>	Raised
<b>Mounting type:</b>	Panel mounting

### OPERATING-/INDICATION PART

<b>Lens colour:</b>	Red
<b>Lens material:</b>	Plastic
<b>Lens shape:</b>	Flush
<b>Lens optics:</b>	transparent
<b>Marking plate colour:</b>	White
<b>Marking plate optics:</b>	translucent
<b>Marking plate illumination:</b>	illuminative

### ELECTRICAL CHARACTERISTICS

**Switching rating:**

**Standards:** The switches comply with the "Standards for low-voltage switching devices" DIN EN 60947-1

## MECHANICAL CHARACTERISTIC

**Terminal:** Screw terminal  
**Weight:** 0.05 kg

## AMBIENT CONDITION

**IP Protection:** IP65 front side  
**Operating temperature:** - 40 °C ... + 55 °C  
**Storage temperature:** - 40 °C ... + 85 °C

## CERTIFICATE

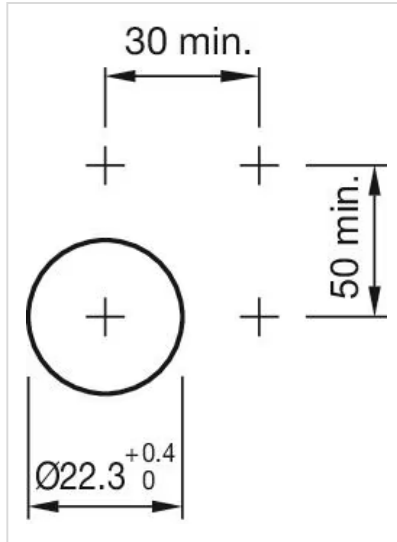
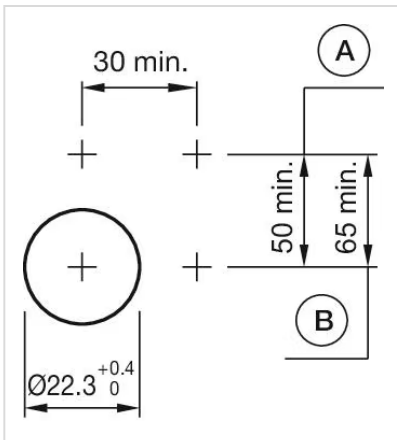
**REACH:** REACH compliant  
**RoHS:** RoHS compliant

## OTHER

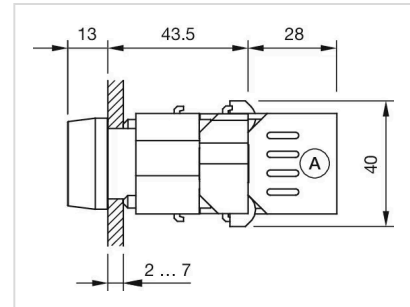
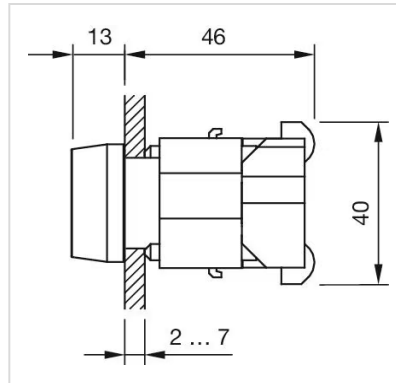
**Short Description:** Actuator, Ø 29 mm, Flush, Red, Plastic, transparent, Round, Black, Plastic, Screw terminal  
**Housing colour:** Grey  
**Housing material:** Plastic  
**Hints:** Filament lamp or LED  
**Wiring diagrams:**

**Mounting cut-outs:**

A = Screw terminal  
 B = Push-in terminal (PIT)



**Dimension drawings:**



A = Screw terminal