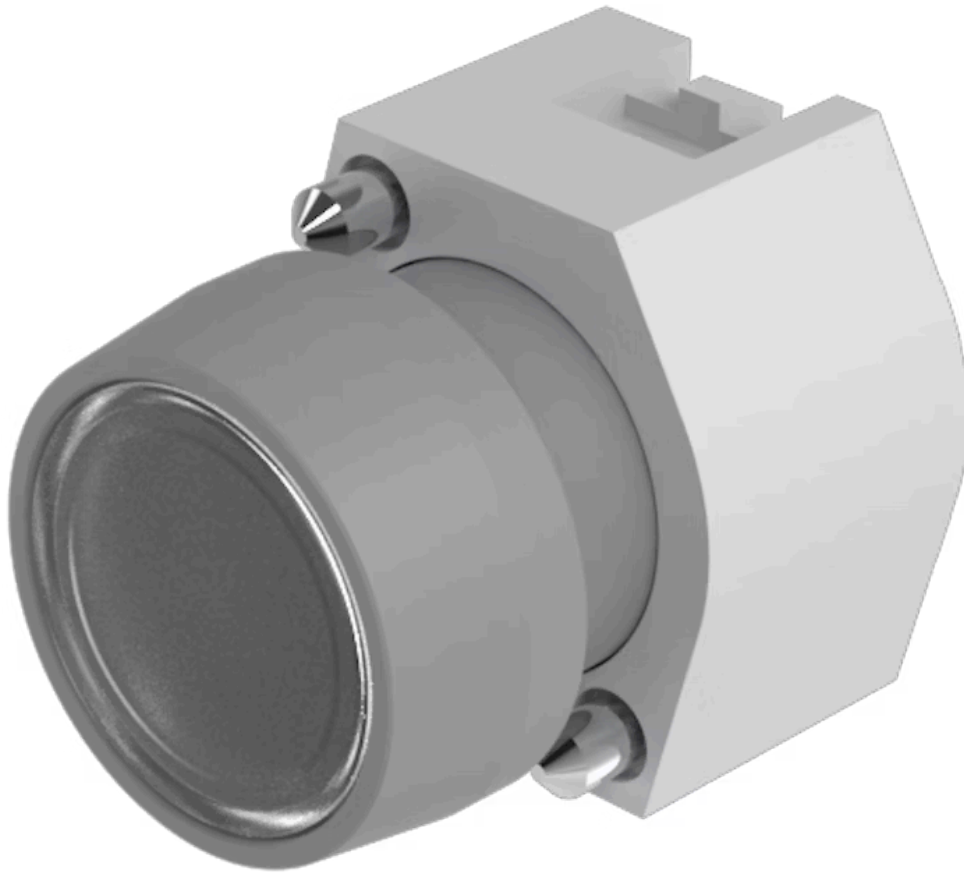


# Actuator

704.010.7



<https://eao.com/p/704.010.7>

Your product:

---



## 704.010.7 Actuator

### FRONT

|                              |         |
|------------------------------|---------|
| <b>Front dimension:</b>      | Ø 29 mm |
| <b>Front form:</b>           | round   |
| <b>Front bezel colour:</b>   | Grey    |
| <b>Front bezel material:</b> | Plastic |

### MOUNTING

|                       |                |
|-----------------------|----------------|
| <b>Design:</b>        | raised         |
| <b>Mounting type:</b> | Panel mounting |

### OPERATING-/INDICATION PART

|                           |                  |
|---------------------------|------------------|
| <b>Lens colour:</b>       | Colourless       |
| <b>Lens material:</b>     | Plastic          |
| <b>Lens illumination:</b> | non illuminative |
| <b>Lens shape:</b>        | flush            |
| <b>Lens optics:</b>       | transparent      |

### ELECTRICAL CHARACTERISTICS

|                   |   |
|-------------------|---|
| <b>Standards:</b> | The switches comply with the "Standards for low-voltage switching devices" DIN EN 60947-1 |
|-------------------|---|

### MECHANICAL CHARACTERISTIC

|                             |                             |
|-----------------------------|-----------------------------|
| <b>Switching action:</b>    | Momentary                   |
| <b>Mechanical lifetime:</b> | ≤3 Mio. cycles of operation |

**Operating force:** 8 N  
**Operating Travel:** ca. 5.8 mm ± 0.2 mm  
**Weight:** 0.04 kg

### AMBIENT CONDITION

**IP Protection:** IP65 front side  
**Operating temperature:** – 40 °C ... + 55 °C  
**Storage temperature:** – 40 °C ... + 85 °C

### CERTIFICATE

**REACH:** REACH compliant  
**RoHS:** RoHS compliant

### OTHER

**Short Description:** Actuator, Ø 29 mm, flush, non illuminative, Colourless, Plastic, transparent, round, Grey, Plastic, Momentary

**Housing colour:** Grey

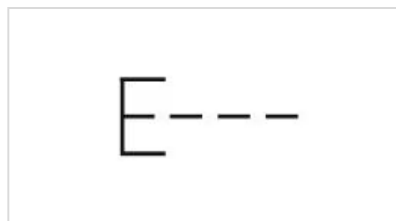
**Housing material:** Plastic

**Product attributes:** Frontring with protective cover to be mounted with a torque of 0.4 Nm onto actuator

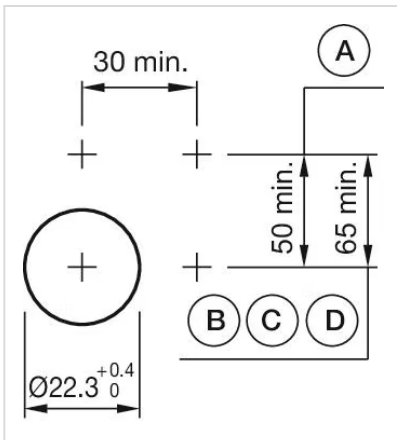
**Hints:** Frontring with protective cover to be mounted with a torque of 0.4 Nm onto actuator, Max. 3 switching elements can be clipped on

**max. number of switching elements:** 3

**Wiring diagrams:**

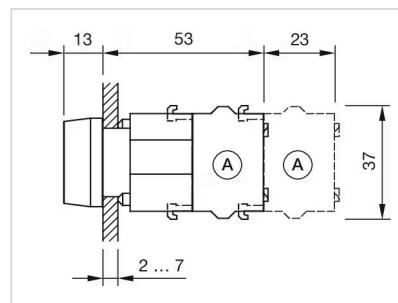


**Mounting cut-outs:**



A = Screw terminal  
 B = Push-in terminal (PIT)  
 C = Plug-in terminal 6.3 mm x 0.8 mm  
 D = Double plug-in terminal 6.3 mm x 0.8 mm

**Dimension drawings:**



A = Screw terminal