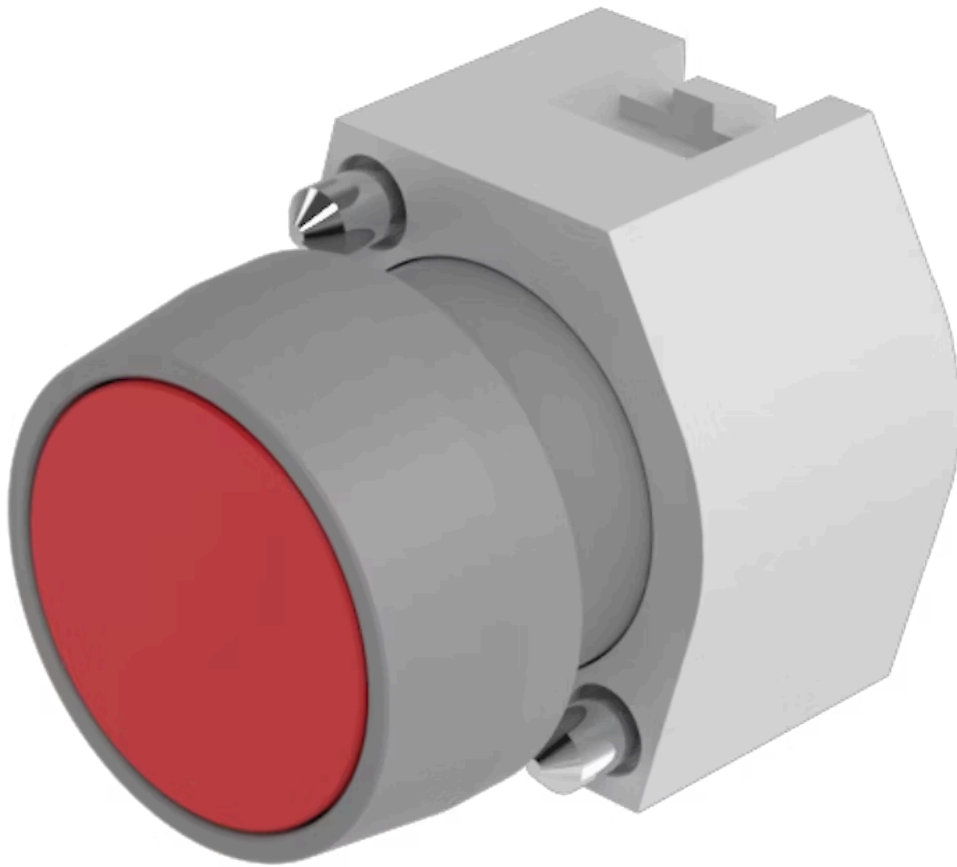


Actuator

704.040.2



<https://eao.com/p/704.040.2>

Your product:



704.040.2 Actuator

FRONT

Front dimension:	Ø 29 mm
Front form:	round
Front bezel colour:	Grey
Front bezel material:	Plastic

MOUNTING

Design:	raised
Mounting type:	Panel mounting

OPERATING-/INDICATION PART

Lens colour:	Red
Lens material:	Plastic
Lens illumination:	non illuminative
Lens shape:	flush
Lens optics:	transparent

ELECTRICAL CHARACTERISTICS

Standards:	The switches comply with the "Standards for low-voltage switching devices" DIN EN 60947-1
-------------------	---

MECHANICAL CHARACTERISTIC

Switching action:	Maintained
Mechanical lifetime:	≤3 Mio. cycles of operation

Operating force: 8 N
Operating Travel: ca. 5.8 mm ± 0.2 mm
Weight: 0.04 kg

AMBIENT CONDITION

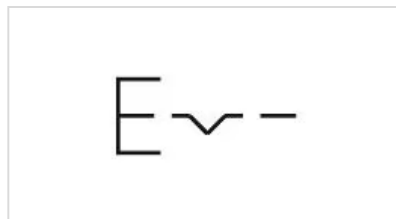
IP Protection: IP65 front side
Operating temperature: – 40 °C ... + 55 °C
Storage temperature: – 40 °C ... + 85 °C

CERTIFICATE

REACH: REACH compliant
RoHS: RoHS compliant

OTHER

Short Description: Actuator, Ø 29 mm, flush, non illuminative, Red, Plastic, transparent, round, Grey, Plastic, Maintained
Housing colour: Grey
Housing material: Plastic
Hints: Frontring with protective cover to be mounted with a torque of 0.4 Nm onto actuator,Max. 3 switching elements can be clipped on
max. number of switching elements: 3
Wiring diagrams:

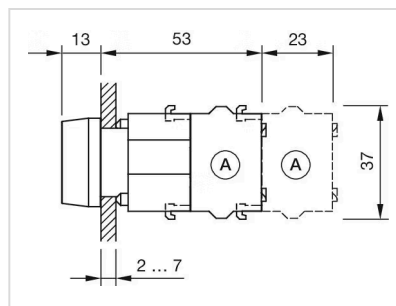


Mounting cut-outs:



A = Screw terminal
 B = Push-in terminal (PIT)
 C = Plug-in terminal 6.3 mm x 0.8 mm
 D = Double plug-in terminal 6.3 mm x 0.8 mm

Dimension drawings:



A = Screw terminal