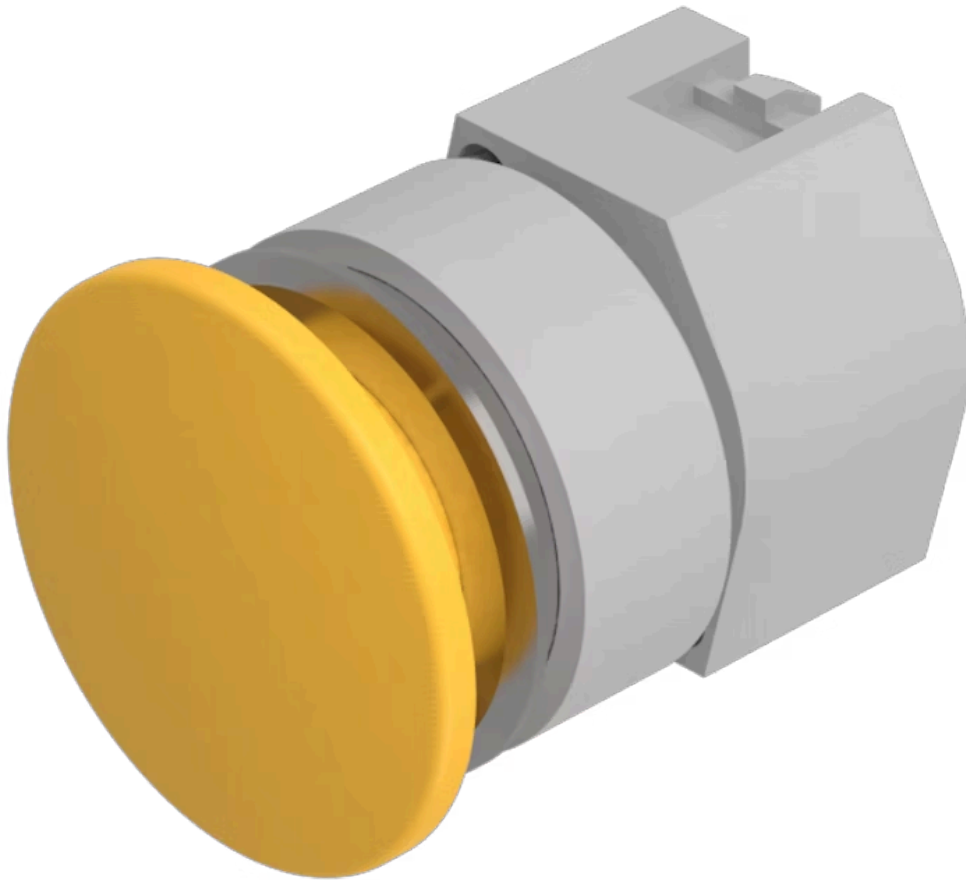


Actuator

704.071.410



<https://eao.com/p/704.071.410>

Your product:



704.071.410 Actuator

FRONT

Front dimension:	Ø 40 mm
Front form:	round
Front bezel colour:	Black
Front bezel material:	Aluminium

MOUNTING

Design:	flush
Mounting cut-out:	Ø 30.5 mm
Mounting type:	Panel mounting

OPERATING-/INDICATION PART

Lens colour:	Yellow
Lens material:	Plastic
Lens illumination:	non illuminative
Lens shape:	mushroom-head
Lens optics:	opaque

ELECTRICAL CHARACTERISTICS

Standards:	The switches comply with the "Standards for low-voltage switching devices" DIN EN 60947-1
-------------------	-------------------------------------------------------------------------------------------

MECHANICAL CHARACTERISTIC

Switching action:	Momentary
--------------------------	-----------

Mechanical lifetime:	≤3 Mio. cycles of operation
Operating force:	6.2 N
Operating Travel:	ca. 5.8 mm ± 0.2 mm
Weight:	0.041 kg

AMBIENT CONDITION

IP Protection:	IP65 front side
Operating temperature:	- 40 °C ... + 55 °C
Storage temperature:	- 40 °C ... + 85 °C

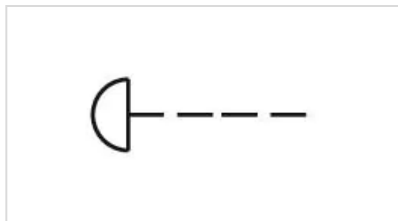
CERTIFICATE

REACH:	REACH compliant
RoHS:	RoHS compliant

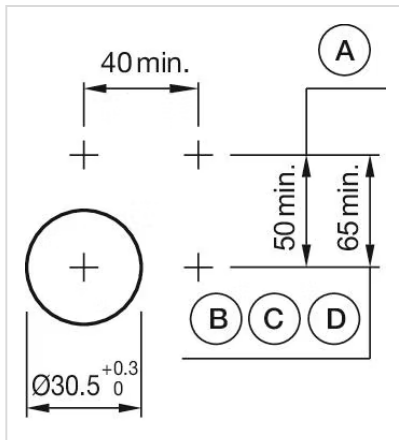
OTHER

Short Description:	Actuator, Ø 30.5 mm, Ø 40 mm, mushroom-head, non illuminative, Yellow, Plastic, opaque, round, Black, Aluminium, anodised, Momentary
Housing colour:	Grey
Housing material:	Plastic
Hints:	Max. 3 switching elements can be clipped on, The colour of anodised aluminium parts can vary due to technical production reasons
max. number of switching elements:	3

Wiring diagrams:

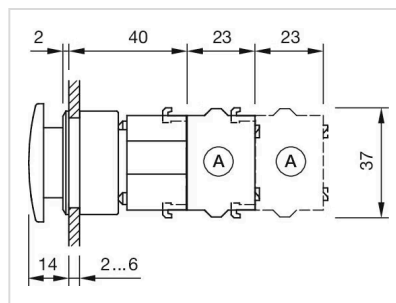


Mounting cut-outs:



- A = Screw terminal
- B = Push-in terminal (PIT)
- C = Plug-in terminal 6.3 mm x 0.8 mm
- D = Double plug-in terminal 6.3 mm x 0.8 mm

Dimension drawings:



A = Screw terminal