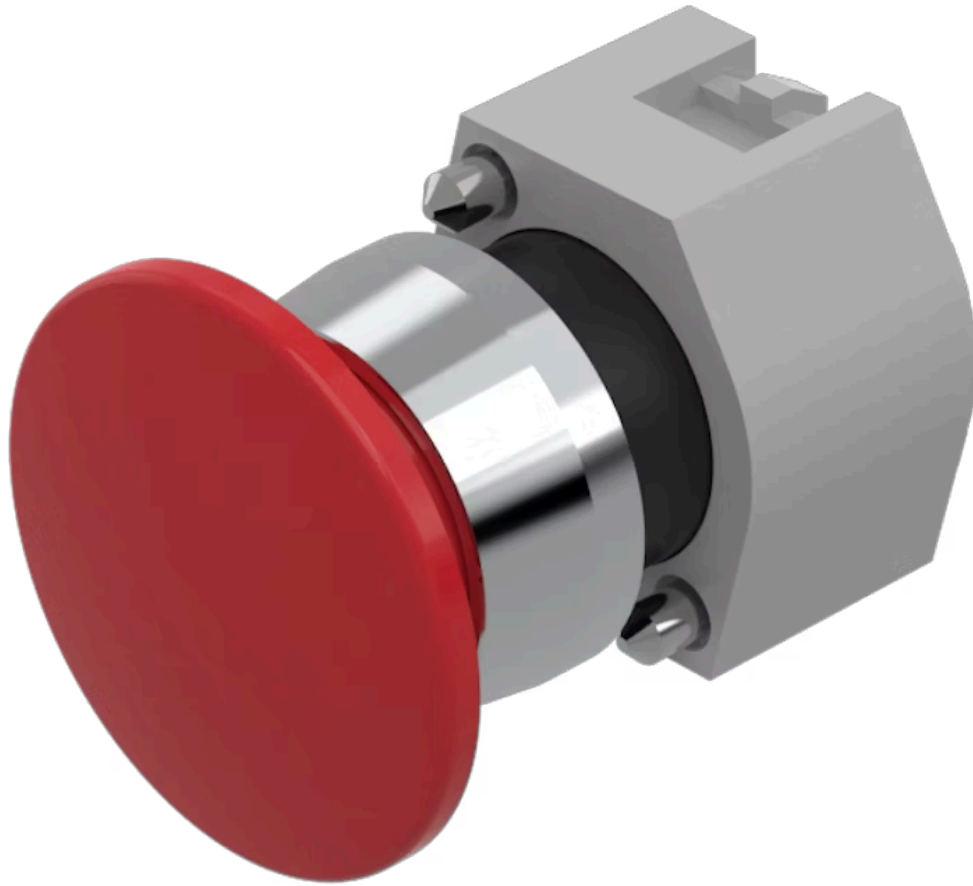


# Actuator

704.073.2



<https://eao.com/p/704.073.2>

Your product:

---



## 704.073.2 Actuator

### FRONT

<b>Front dimension:</b>	Ø 40 mm
<b>Front form:</b>	round
<b>Front bezel colour:</b>	Nature
<b>Front bezel material:</b>	Aluminium
<b>Front bezel shape:</b>	with protective hood

### MOUNTING

<b>Design:</b>	raised
<b>Mounting type:</b>	Panel mounting

### OPERATING-/INDICATION PART

<b>Lens colour:</b>	Red
<b>Lens material:</b>	Plastic
<b>Lens illumination:</b>	non illuminative
<b>Lens shape:</b>	mushroom-head
<b>Lens optics:</b>	opaque

### MECHANICAL CHARACTERISTIC

<b>Switching action:</b>	Maintained
<b>Mechanical lifetime:</b>	≤3 Mio. cycles of operation
<b>Weight:</b>	0.041 kg

**CERTIFICATE**

**REACH:** REACH compliant

**RoHS:** RoHS compliant

**OTHER**

**Short Description:**

Actuator, Ø 40 mm, mushroom-head, non illuminative, Red, Plastic, opaque, round, with protective hood, Nature, Aluminium, anodised, Maintained

**Housing colour:**

Grey

**Housing material:**

Plastic

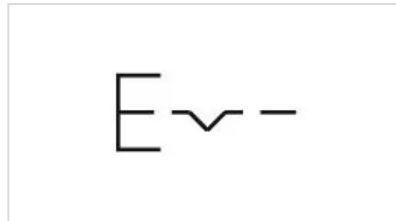
**Hints:**

Max. 3 switching elements can be clipped on

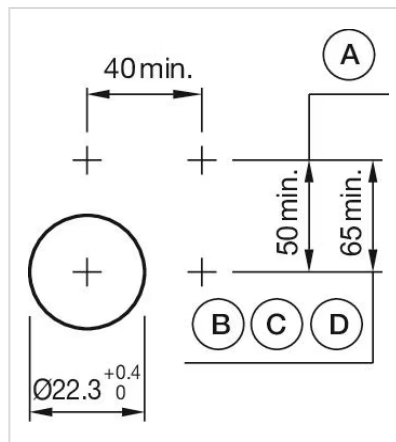
**max. number of switching elements:**

3

**Wiring diagrams:**

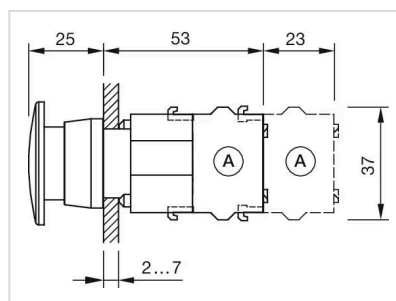


**Mounting cut-outs:**



A = Screw terminal  
B = Push-in terminal (PIT)  
C = Plug-in terminal 6.3 mm x 0.8 mm  
D = Double plug-in terminal 6.3 mm x 0.8 mm

**Dimension drawings:**



A = Screw terminal