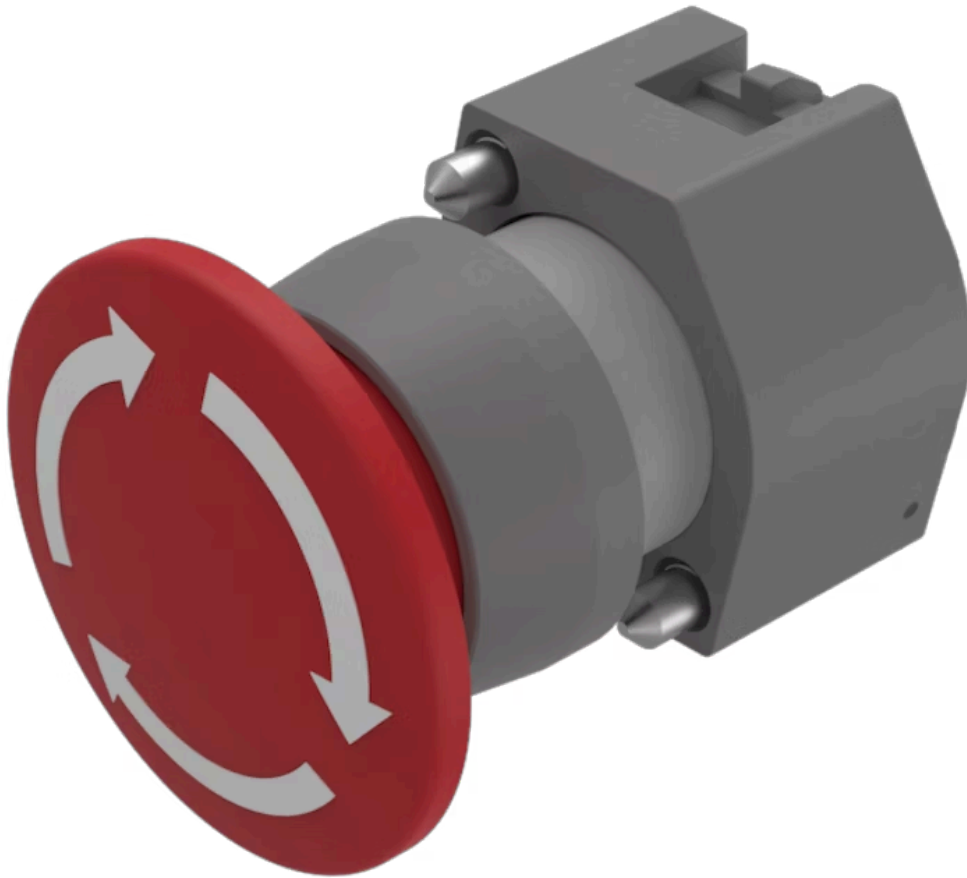


# Actuator

704.074.2



<https://eao.com/p/704.074.2>

Your product:

---



## 704.074.2 Actuator

### FRONT

<b>Front dimension:</b>	Ø 40 mm
<b>Front form:</b>	round
<b>Front bezel colour:</b>	Grey
<b>Front bezel material:</b>	Plastic

### MOUNTING

<b>Design:</b>	raised
<b>Mounting type:</b>	Panel mounting

### OPERATING-/INDICATION PART

<b>Lens colour:</b>	Red
<b>Lens material:</b>	Plastic
<b>Lens illumination:</b>	non illuminative
<b>Lens shape:</b>	mushroom-head
<b>Lens optics:</b>	opaque

### ELECTRICAL CHARACTERISTICS

<b>Standards:</b>	The switches comply with the "Standards for low-voltage switching devices" DIN EN 60947-1
-------------------	---

### MECHANICAL CHARACTERISTIC

<b>Switching action:</b>	Maintained
<b>Mechanical lifetime:</b>	≤50 000 cycles of operation

**Operating force:** 8 N  
**Operating Travel:** ca. 5.8 mm ± 0.2 mm  
**Weight:** 0.047 kg

### AMBIENT CONDITION

**IP Protection:** IP65 front side  
**Operating temperature:** – 40 °C ... + 55 °C  
**Storage temperature:** – 40 °C ... + 85 °C

### CERTIFICATE

**REACH:** REACH compliant  
**RoHS:** RoHS compliant

### OTHER

**Short Description:** Actuator, Ø 40 mm, mushroom-head, non illuminative, Red, Plastic, opaque, round, Grey, Plastic, Maintained

**Housing colour:** Grey

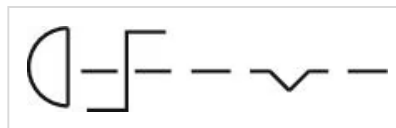
**Housing material:** Plastic

**Marking:** Arrows

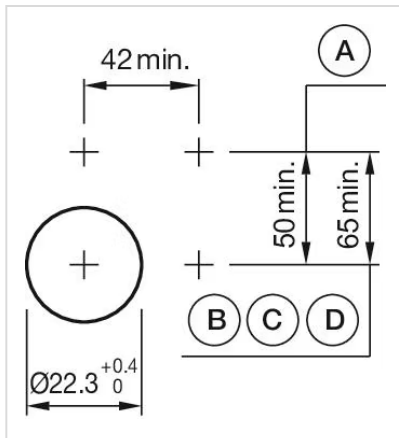
**Product attributes:** Twist to unlock clockwise

**max. number of switching elements:** 3

**Wiring diagrams:**

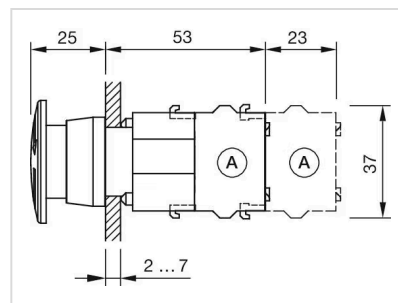


**Mounting cut-outs:**



A = Screw terminal  
 B = Push-in terminal (PIT)  
 C = Plug-in terminal 6.3 mm x 0.8 mm  
 D = Double plug-in terminal 6.3 mm x 0.8 mm

**Dimension drawings:**



A = Screw terminal