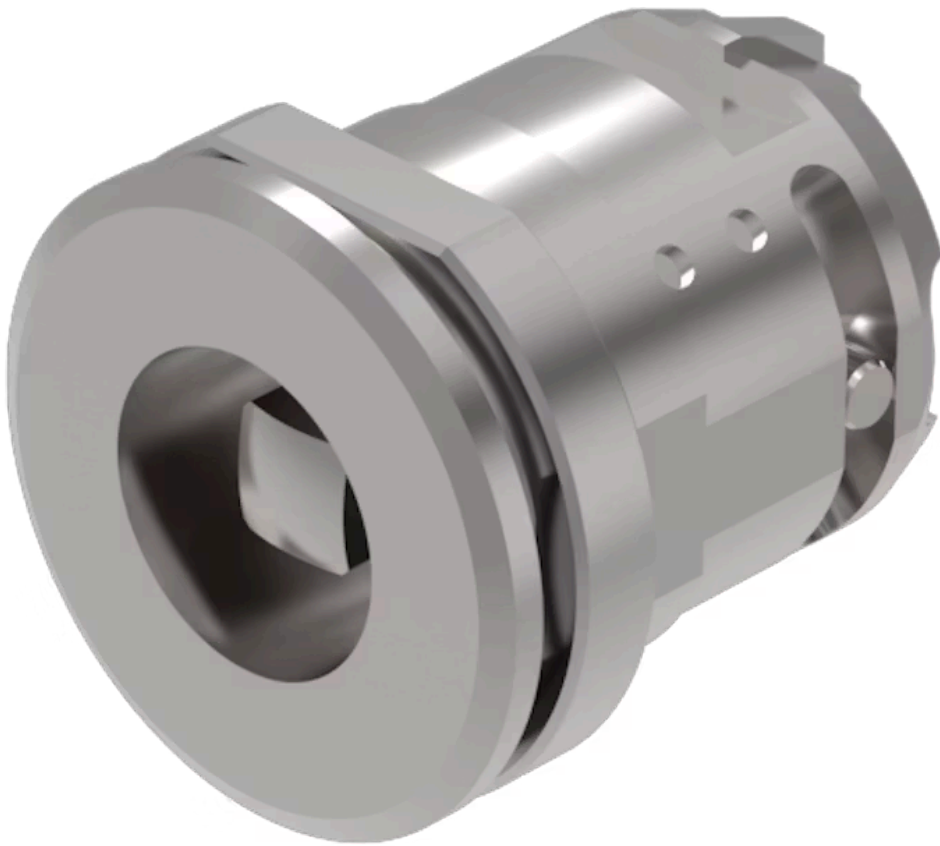


# Actuator

704.095.0T28N



<https://www.eao.com/component/704.095.0T28N/e...>

Your product:

---



## 704.095.0T28N Actuator

### FRONT

<b>Front dimension:</b>	Ø 38 mm
<b>Front form:</b>	Round
<b>Front bezel colour:</b>	Nature
<b>Front bezel material:</b>	Stainless steel

### MOUNTING

<b>Design:</b>	Flush
<b>Mounting cut-out:</b>	Ø 33 mm
<b>Mounting type:</b>	Panel mounting

### MECHANICAL CHARACTERISTICS

<b>Switching action:</b>	Momentary - Rest - Momentary
<b>Switching positions:</b>	3 positions
<b>Switching angle:</b>	42° left / 42° right
<b>Mechanical lifetime:</b>	≤250 000 cycles of operation
<b>Weight:</b>	0.195 kg

### CERTIFICATE

<b>REACH:</b>	REACH compliant
<b>RoHS:</b>	RoHS compliant

### OTHER

**Short Description:**

Actuator, Ø 33 mm, Ø 38 mm, Round, Nature, Stainless steel, Momentary - Rest - Momentary

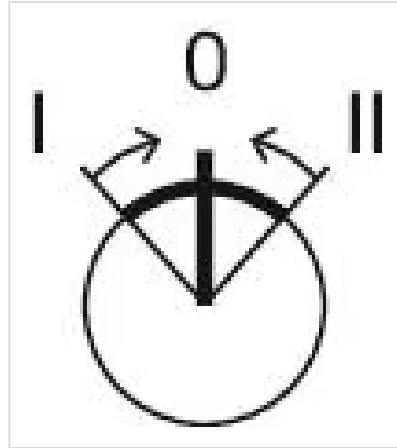
**Hints:**

Max. 2 switching elements can be clipped on

**max. number of switching elements:**

1

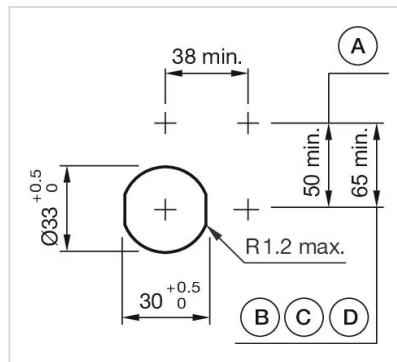
**Switching positions:**



**Wiring diagrams:**

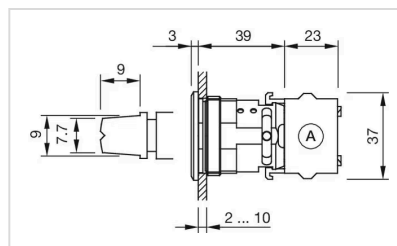


**Mounting cut-outs:**



- A = Screw terminal
- B = Push-in terminal (PIT)
- C = Plug-in terminal 6.3 mm x 0.8 mm
- D = Double plug-in terminal 6.3 mm x 0.8 mm

**Dimension drawings:**



- A = Screw terminal