

Actuator

704.101.1KNI



<https://www.eao.com/component/704.101.1KNI/en...>

Your product:



704.101.1KNI Actuator

FRONT

Front dimension:	Ø 29 mm
Front form:	Round
Front bezel colour:	Nature
Front bezel material:	Aluminium

MOUNTING

Design:	Raised
Mounting type:	Panel mounting

OPERATING-/INDICATION PART

Lever colour:	Black
Lever bar colour:	White
Lever material:	plastic
Lever shape:	long

MECHANICAL CHARACTERISTICS

Weight:	0.029 kg
----------------	----------

CERTIFICATE

REACH:	REACH compliant
RoHS:	RoHS compliant

OTHER

Short Description:

Actuator, Ø 29 mm, non illuminative, Black, long, Round, Nature, Aluminium, anodised

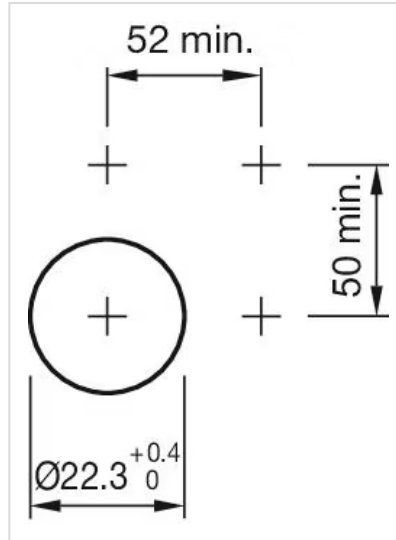
Hints:

The colour of anodised aluminium parts can vary due to technical production reasons

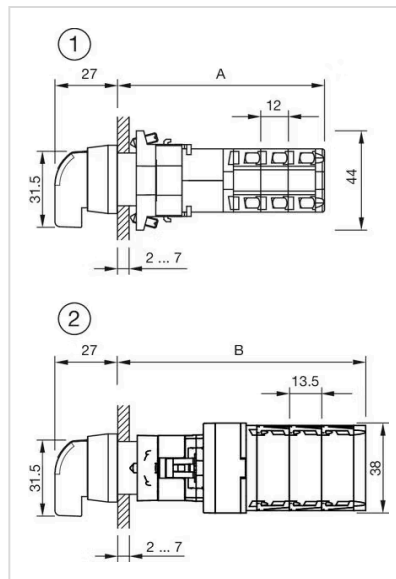
max. number of switching elements:

1

Mounting cut-outs:



Dimension drawings:



1 = Kraus & Naimer switching element
A = (Number of stages x 12) + 54.5 mm
2 = Santon switching element
B = (Number of stages x 13.5) + 54.5 mm