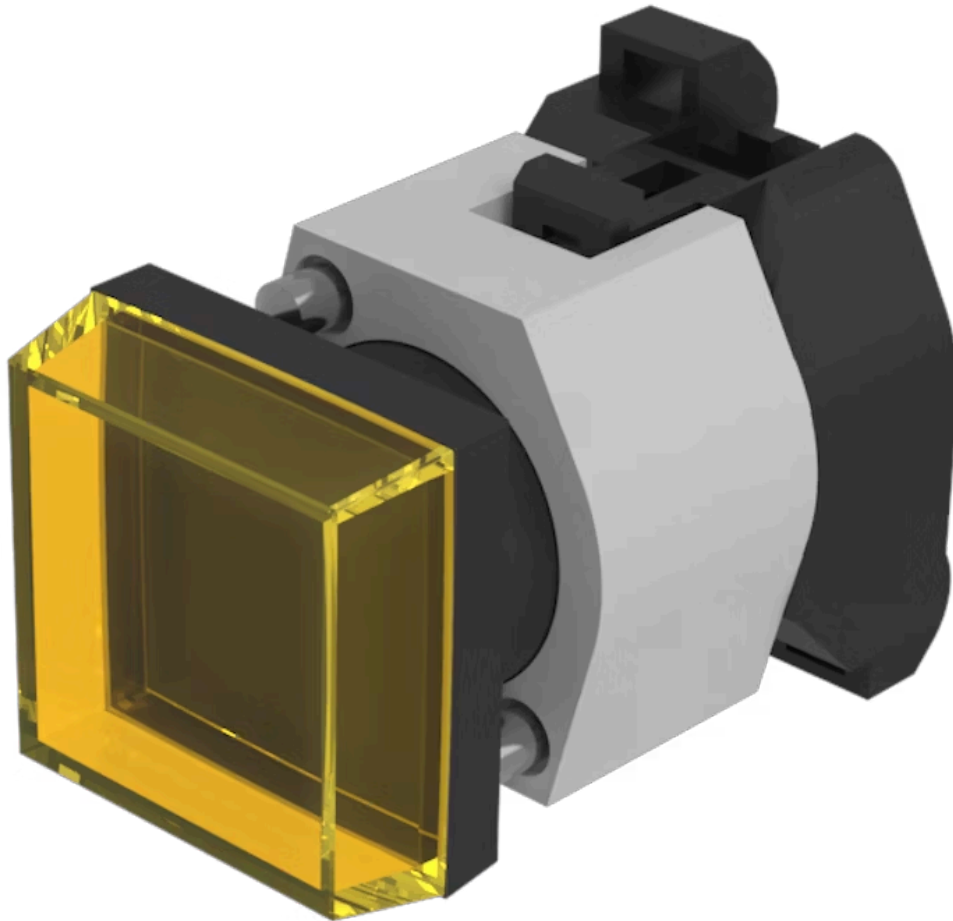


Actuator

704.199.4



<https://www.eao.com/p/704.199.4>

Your product:



704.199.4 Actuator

FRONT

Front dimension:	30 mm x 30 mm
Front form:	Square
Front bezel colour:	Black
Front bezel material:	Plastic

MOUNTING

Design:	Raised
Mounting type:	Panel mounting

OPERATING-/INDICATION PART

Lens cap colour:	Yellow
Lens cap material:	Plastic
Lens cap optical effect:	transparent
Marking cap colour:	White
Marking cap optics:	translucent

ELECTRICAL CHARACTERISTICS

Switching rating:	
Standards:	The switches comply with the "Standards for low-voltage switching devices" DIN EN 60947-1

MECHANICAL CHARACTERISTIC

Terminal:	Screw terminal
------------------	----------------

Weight: 0.05 kg

AMBIENT CONDITION

IP Protection: IP65 front side

Operating temperature: - 40 °C ... + 55 °C

Storage temperature: - 40 °C ... + 85 °C

CERTIFICATE

REACH: REACH compliant

RoHS: RoHS compliant

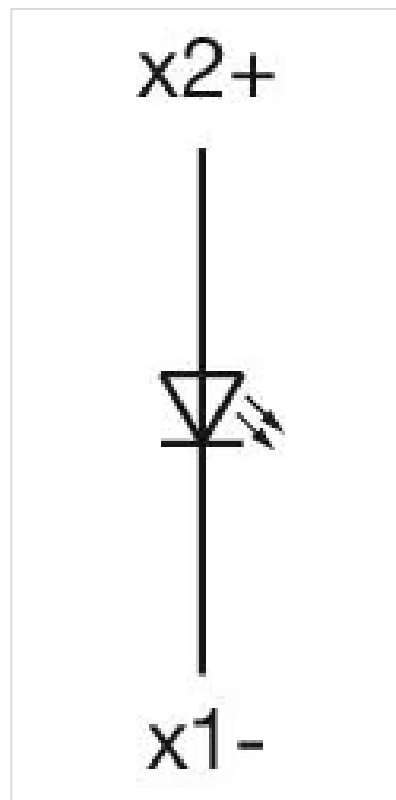
OTHER

Short Description: Actuator, 30 mm x 30 mm, Square, Black, Plastic, Screw terminal

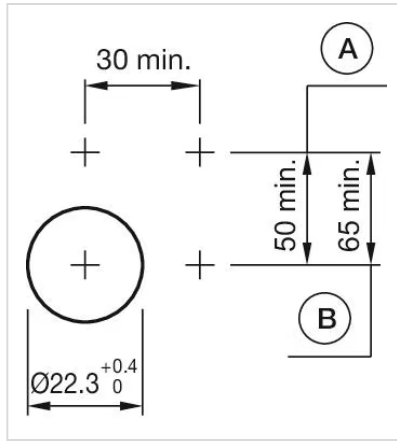
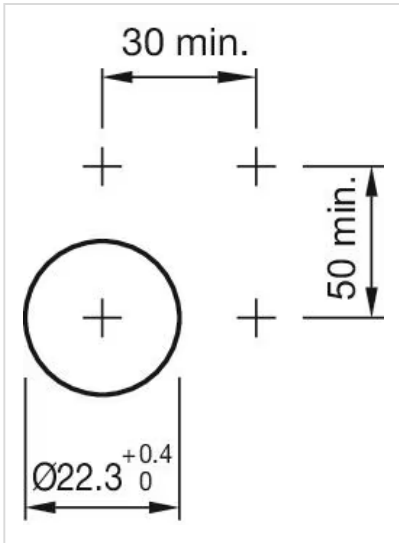
Housing colour: Grey

Housing material: Plastic

Wiring diagrams:

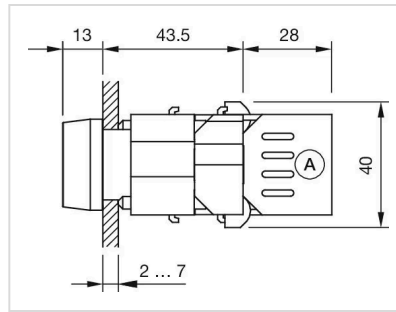


Mounting cut-outs:



A = Screw terminal
B = Push-in terminal (PIT)

Dimension drawings:



A = Screw terminal

