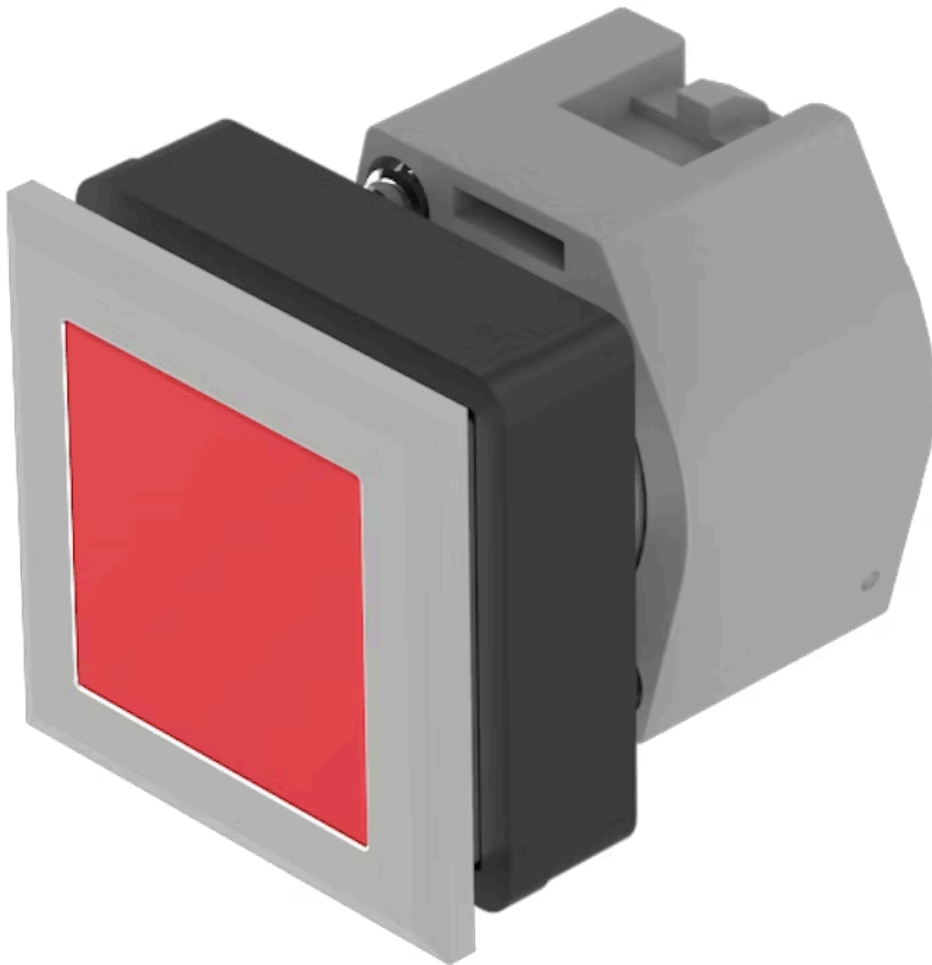


Actuator

704.210.208



<https://www.eao.com/p/704.210.208>

Your product:



704.210.208 Actuator

FRONT

Front dimension:	35 mm x 35 mm
Front form:	Square
Front bezel colour:	Silver
Front bezel material:	Plastic

MOUNTING

Design:	Flush
Mounting cut-out:	30 mm x 30 mm
Mounting type:	Panel mounting

OPERATING-/INDICATION PART

Lens colour:	Red
Lens material:	Plastic
Lens illumination:	Non illuminated
Lens shape:	Flush
Lens optics:	transparent

ELECTRICAL CHARACTERISTICS

Switching rating:	
Standards:	The switches comply with the "Standards for low-voltage switching devices" DIN EN 60947-1

MECHANICAL CHARACTERISTIC

Switching action: Momentary
Mechanical lifetime: ≤3 Mil. cycles of operation
Operating force: 6.2 N
Operating Travel: ca. 5.8 mm ± 0.2 mm
Weight: 0.051 kg

AMBIENT CONDITION

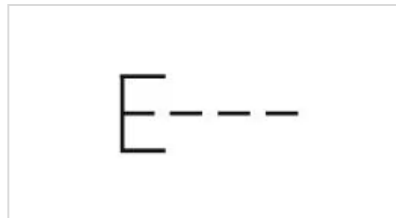
IP Protection: IP65 front side
Operating temperature: – 40 °C ... + 55 °C
Storage temperature: – 40 °C ... + 85 °C

CERTIFICATE

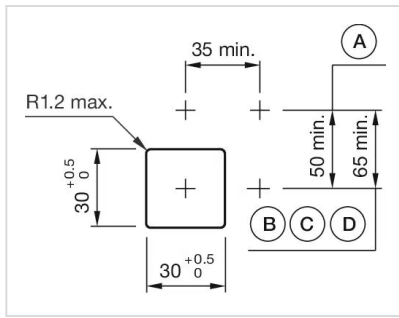
REACH: REACH compliant
RoHS: RoHS compliant

OTHER

Short Description: Actuator, 30 mm x 30 mm, 35 mm x 35 mm, Flush, Non illuminated, Red, Plastic, transparent, Square, Silver, Plastic, Momentary
Housing colour: Black
Housing material: Plastic
Hints: Max. 3 switching elements can be clipped on
max. number of switching elements: 3
Wiring diagrams:

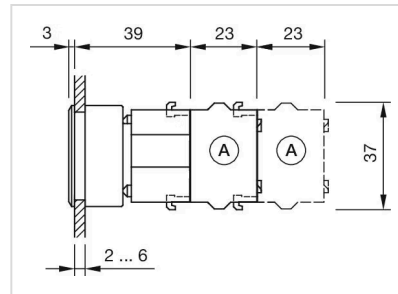


Mounting cut-outs:



A = Screw terminal
 B = Push-in terminal (PIT)
 C = Plug-in terminal 6.3 mm x 0.8 mm
 D = Double plug-in terminal 6.3 mm x 0.8 mm

Dimension drawings:



A = Screw terminal