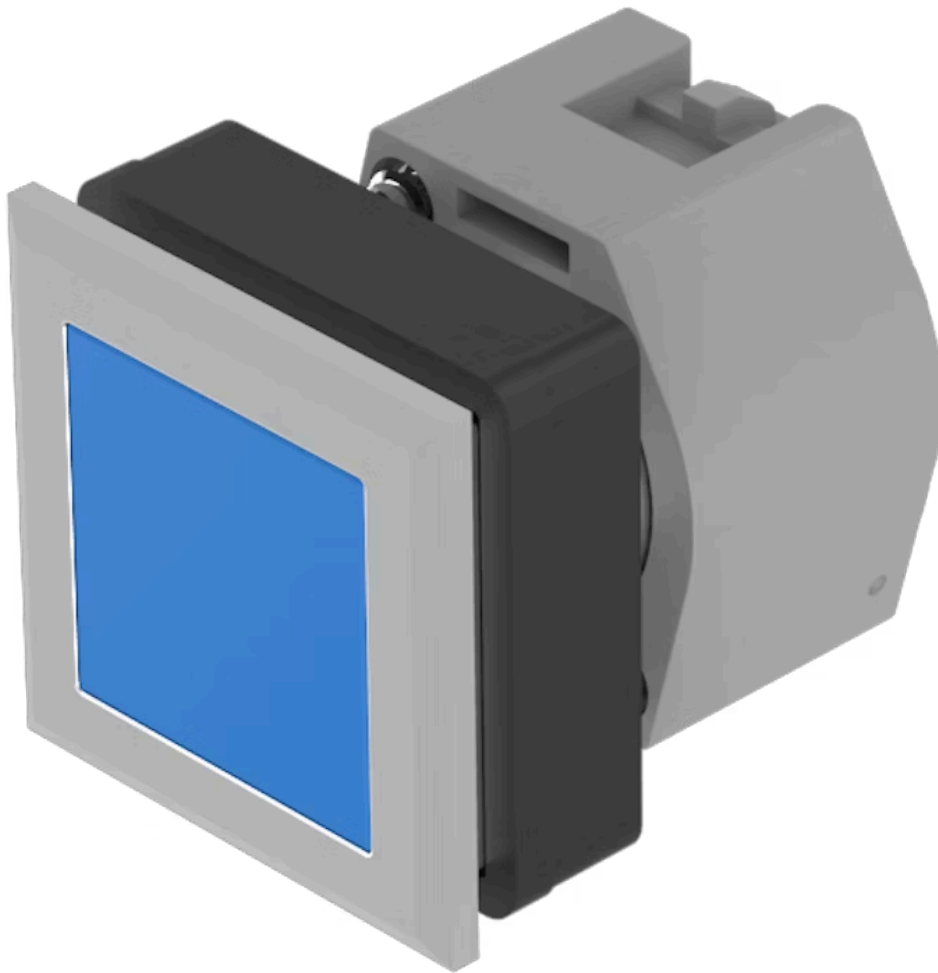


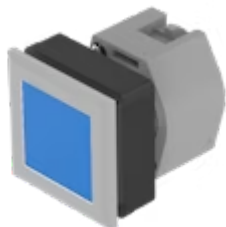
Actuator

704.210.608



<https://eao.com/p/704.210.608>

Your product:



704.210.608 Actuator

FRONT

Front dimension:	35 mm x 35 mm
Front form:	square
Front bezel colour:	Silver
Front bezel material:	Plastic

MOUNTING

Design:	flush
Mounting cut-out:	30 mm x 30 mm
Mounting type:	Panel mounting

OPERATING-/INDICATION PART

Lens colour:	Blue
Lens material:	Plastic
Lens illumination:	non illuminative
Lens shape:	flush
Lens optics:	transparent

ELECTRICAL CHARACTERISTICS

Standards:	The switches comply with the "Standards for low-voltage switching devices" DIN EN 60947-1
-------------------	---

MECHANICAL CHARACTERISTIC

Switching action:	Momentary
--------------------------	-----------

Mechanical lifetime:	≤3 Mio. cycles of operation
Operating force:	6.2 N
Operating Travel:	ca. 5.8 mm ± 0.2 mm
Weight:	0.051 kg

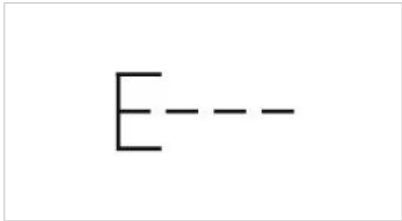
AMBIENT CONDITION

IP Protection:	IP65 front side
Operating temperature:	- 40 °C ... + 55 °C
Storage temperature:	- 40 °C ... + 85 °C

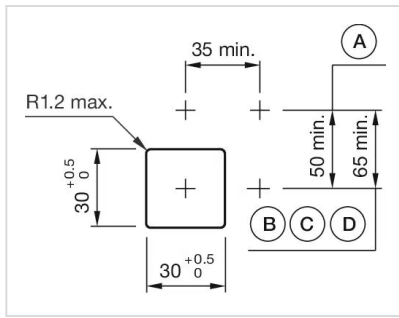
CERTIFICATE

REACH:	REACH compliant
RoHS:	RoHS compliant

OTHER

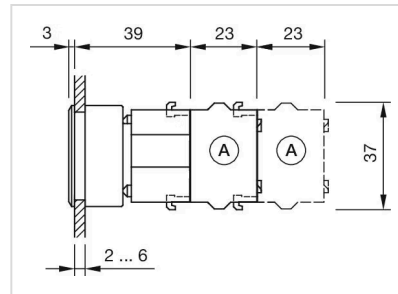
Short Description:	Actuator, 30 mm x 30 mm, 35 mm x 35 mm, flush, non illuminative, Blue, Plastic, transparent, square, Silver, Plastic, Momentary
Housing colour:	Black
Housing material:	Plastic
Hints:	Max. 3 switching elements can be clipped on
max. number of switching elements:	3
Wiring diagrams:	

Mounting cut-outs:



A = Screw terminal
 B = Push-in terminal (PIT)
 C = Plug-in terminal 6.3 mm x 0.8 mm
 D = Double plug-in terminal 6.3 mm x 0.8 mm

Dimension drawings:



A = Screw terminal