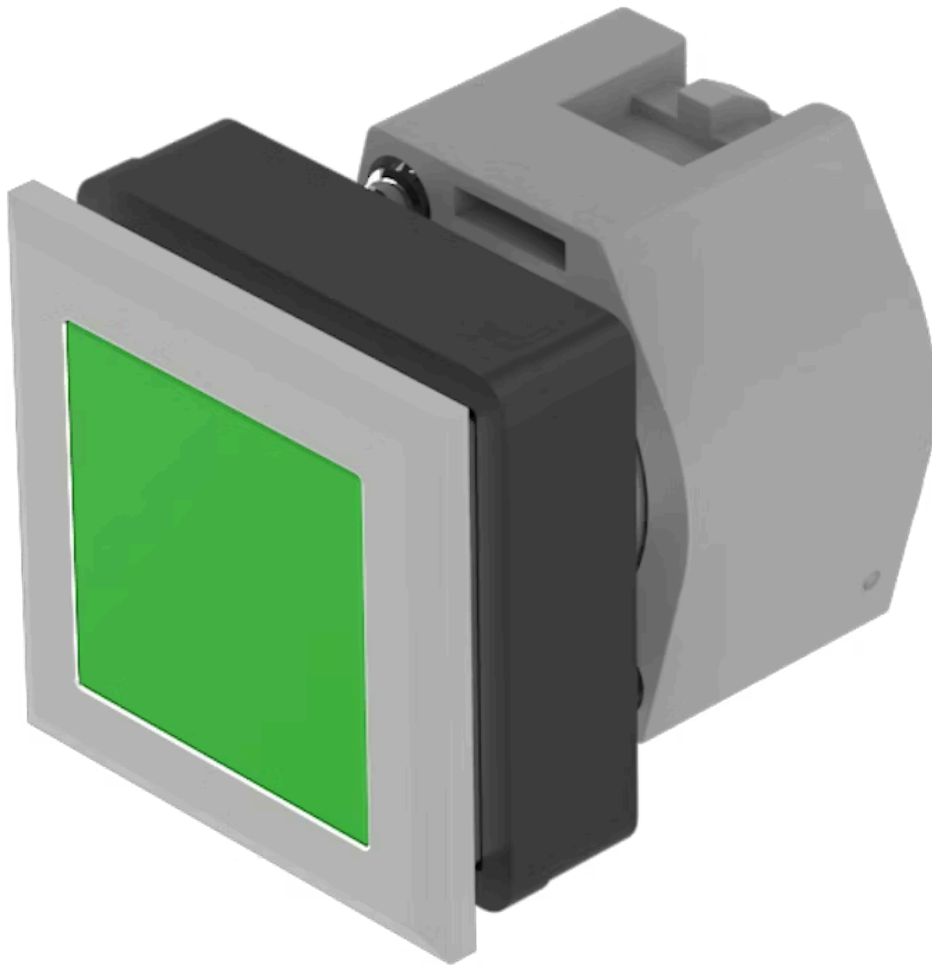


Actuator

704.240.508



<https://www.eao.com/p/704.240.508>

Your product:



704.240.508 Actuator

FRONT

Front dimension:	35 mm x 35 mm
Front form:	Square
Front bezel colour:	Silver
Front bezel material:	Plastic

MOUNTING

Design:	Flush
Mounting cut-out:	30 mm x 30 mm
Mounting type:	Panel mounting

OPERATING-/INDICATION PART

Lens colour:	Green
Lens material:	Plastic
Lens illumination:	Non illuminated
Lens shape:	Flush
Lens optics:	transparent

ELECTRICAL CHARACTERISTICS

Switching rating:	
Standards:	The switches comply with the "Standards for low-voltage switching devices" DIN EN 60947-1

MECHANICAL CHARACTERISTIC

Switching action:	Maintained
Mechanical lifetime:	≤3 Mil. cycles of operation
Operating force:	6.2 N
Operating Travel:	ca. 5.8 mm ± 0.2 mm
Weight:	0.051 kg

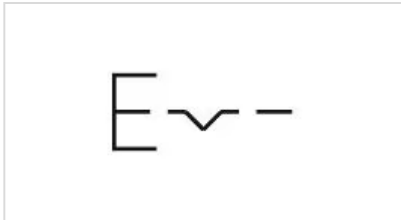
AMBIENT CONDITION

IP Protection:	IP65 front side
Operating temperature:	– 40 °C ... + 55 °C
Storage temperature:	– 40 °C ... + 85 °C

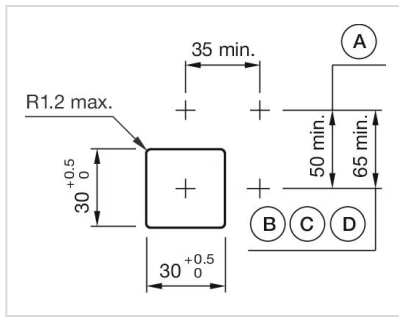
CERTIFICATE

REACH:	REACH compliant
RoHS:	RoHS compliant

OTHER

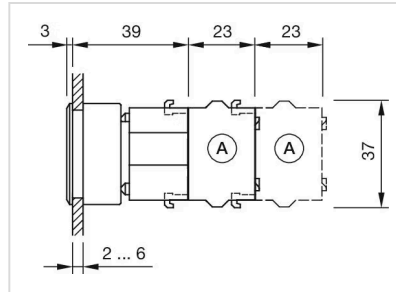
Short Description:	Actuator, 30 mm x 30 mm, 35 mm x 35 mm, Flush, Non illuminated, Green, Plastic, transparent, Square, Silver, Plastic, Maintained
Housing colour:	Black
Housing material:	Plastic
Hints:	Max. 3 switching elements can be clipped on
max. number of switching elements:	3
Wiring diagrams:	

Mounting cut-outs:



A = Screw terminal
 B = Push-in terminal (PIT)
 C = Plug-in terminal 6.3 mm x 0.8 mm
 D = Double plug-in terminal 6.3 mm x 0.8 mm

Dimension drawings:



A = Screw terminal