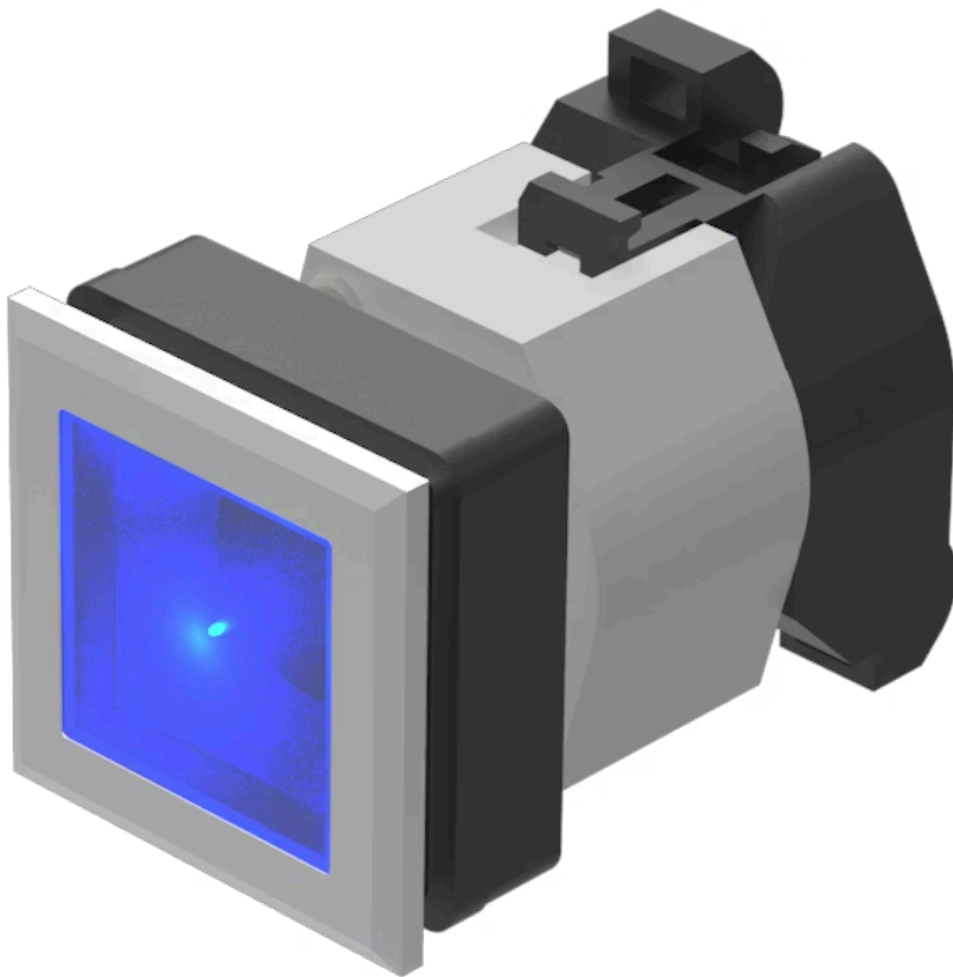


Actuator

704.260.608



<https://www.eao.com/component/704.260.608/en/...>

Your product:



704.260.608 Actuator

FRONT

Front dimension:	35 mm x 35 mm
Front form:	Square
Front bezel colour:	Silver
Front bezel material:	Plastic

MOUNTING

Design:	Flush
Mounting cut-out:	30 mm x 30 mm
Mounting type:	Panel mounting

OPERATING-/INDICATION PART

Lens colour:	Blue
Lens material:	Plastic
Lens illumination:	Illuminated
Lens shape:	Flush
Lens optics:	transparent

ELECTRICAL CHARACTERISTICS

Standards:	The switches comply with the "Standards for low-voltage switching devices" DIN EN 60947-1
-------------------	---

MECHANICAL CHARACTERISTICS

Switching action:	Maintained
--------------------------	------------

Mechanical lifetime: ≤3 Mil. cycles of operation
Operating force: 6.2 N
Operating Travel: ca. 5.8 mm ± 0.2 mm
Weight: 0.048 kg

AMBIENT CONDITION

IP Protection: IP65 front side
Operating temperature: – 40 °C ... + 55 °C
Storage temperature: – 40 °C ... + 85 °C

CERTIFICATE

REACH: REACH compliant
RoHS: RoHS compliant

OTHER

Short Description: Actuator, 30 mm x 30 mm, 35 mm x 35 mm, Flush, Illuminated, Blue, Plastic, transparent, Square, Silver, Plastic, Maintained

Housing colour: Black

Housing material: Plastic

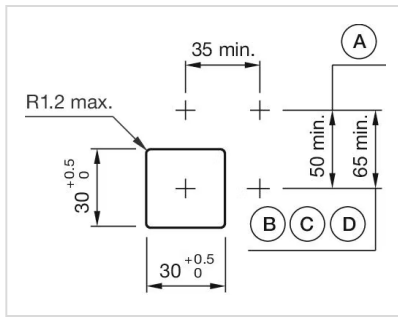
Hints: Max. 3 switching elements can be clipped on
The lamp block will be delivered with screw terminal

max. number of switching elements: 3

Wiring diagrams:



Mounting cut-outs:



- A = Screw terminal
- B = Push-in terminal (PIT)
- C = Plug-in terminal 6.3 mm x 0.8 mm
- D = Double plug-in terminal 6.3 mm x 0.8 mm

Dimension drawings:



A = Screw terminal