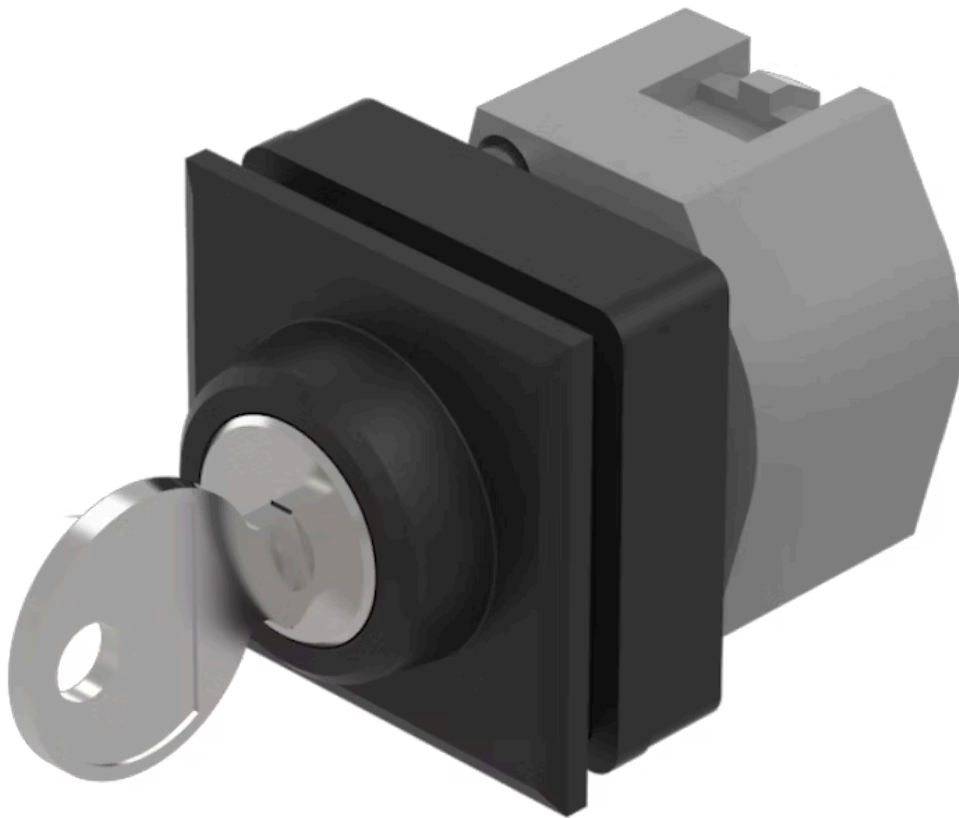


Actuator

704.336.000



<https://www.eao.com/p/704.336.000>

Your product:



704.336.000 Actuator

FRONT

| | |
|------------------------------|---------------|
| Front dimension: | 35 mm x 35 mm |
| Front form: | Square |
| Front bezel colour: | Black |
| Front bezel material: | Plastic |

MOUNTING

| | |
|--------------------------|----------------|
| Design: | Flush |
| Mounting cut-out: | 30 mm x 30 mm |
| Mounting type: | Panel mounting |

ELECTRICAL CHARACTERISTICS

| | |
|--------------------------|---|
| Switching rating: | |
| Standards: | The switches comply with the "Standards for low-voltage switching devices" DIN EN 60947-1 |

MECHANICAL CHARACTERISTIC

| | |
|-----------------------------|--|
| Switching action: | Maintained (a) - Rest - Maintained (a) |
| Switching positions: | 3 positions |
| Switching angle: | 42° left / 42° right |
| Mechanical lifetime: | ≤50 000 cycles of operation |
| Weight: | 0.099 kg |

AMBIENT CONDITION

IP Protection: IP65 front side
Operating temperature: - 40 °C ... + 55 °C
Storage temperature: - 40 °C ... + 85 °C

CERTIFICATE

REACH: REACH compliant
RoHS: RoHS compliant

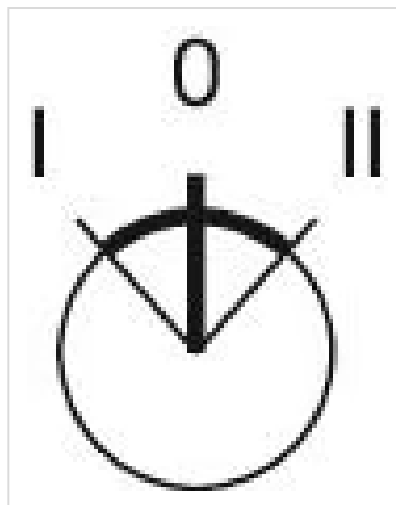
OTHER

Short Description: Actuator, 30 mm x 30 mm, 35 mm x 35 mm, Square, Black, Plastic, Maintained (a)
- Rest - Maintained (a)

Hints: The standard lock Ronis 251, Further lock numbers on request, Max. 3 switching elements can be clipped on

max. number of switching elements: 3

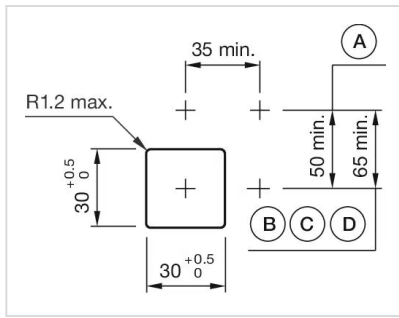
Switching positions:



Wiring diagrams:

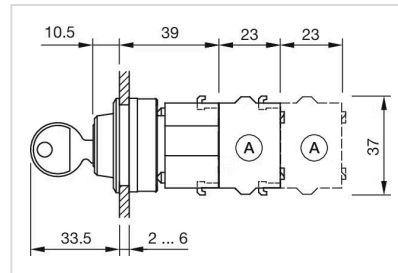


Mounting cut-outs:



A = Screw terminal
 B = Push-in terminal (PIT)
 C = Plug-in terminal 6.3 mm x 0.8 mm
 D = Double plug-in terminal 6.3 mm x 0.8 mm

Dimension drawings:



A = Screw terminal