

# Actuator

704.411.010KN



<https://www.eao.com/p/704.411.010KN>

Your product:

---



## 704.411.010KN Actuator

### FRONT

<b>Front dimension:</b>	Ø 35 mm
<b>Front form:</b>	Round
<b>Front bezel colour:</b>	Black
<b>Front bezel material:</b>	Aluminium

### MOUNTING

<b>Design:</b>	Flush
<b>Mounting cut-out:</b>	Ø 30.5 mm
<b>Mounting type:</b>	Panel mounting

### OPERATING-/INDICATION PART

<b>Lever colour:</b>	Black
<b>Lever bar colour:</b>	Black
<b>Lever material:</b>	plastic
<b>Lever shape:</b>	short

### ELECTRICAL CHARACTERISTICS

**Switching rating:**

### MECHANICAL CHARACTERISTIC

**Weight:** 0.056 kg

**CERTIFICATE**

**REACH:** REACH compliant

**RoHS:** RoHS compliant

**OTHER**

**Short Description:**

Actuator, Ø 30.5 mm, Ø 35 mm, non illuminative, Black, short, Round, Black, Aluminium, anodised

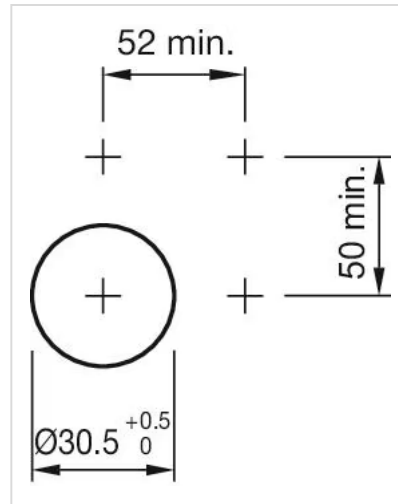
**Hints:**

The colour of anodised aluminium parts can vary due to technical production reasons

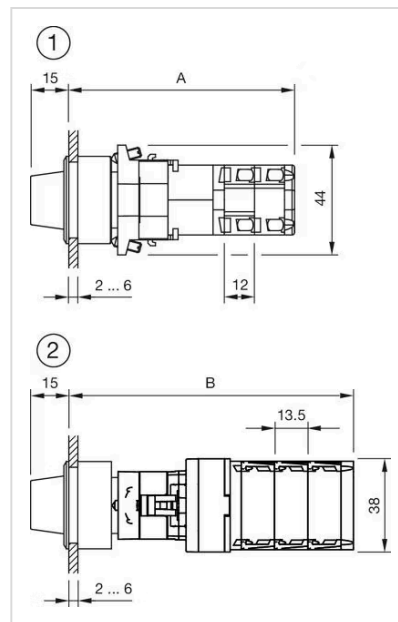
**max. number of switching elements:**

1

**Mounting cut-outs:**



**Dimension drawings:**



1 = Kraus & Naimer switching element  
A = (Number of stages x 12) + 66.5 mm  
2 = Santon switching element  
B = (Number of stages x 13.5) + 65.5 mm