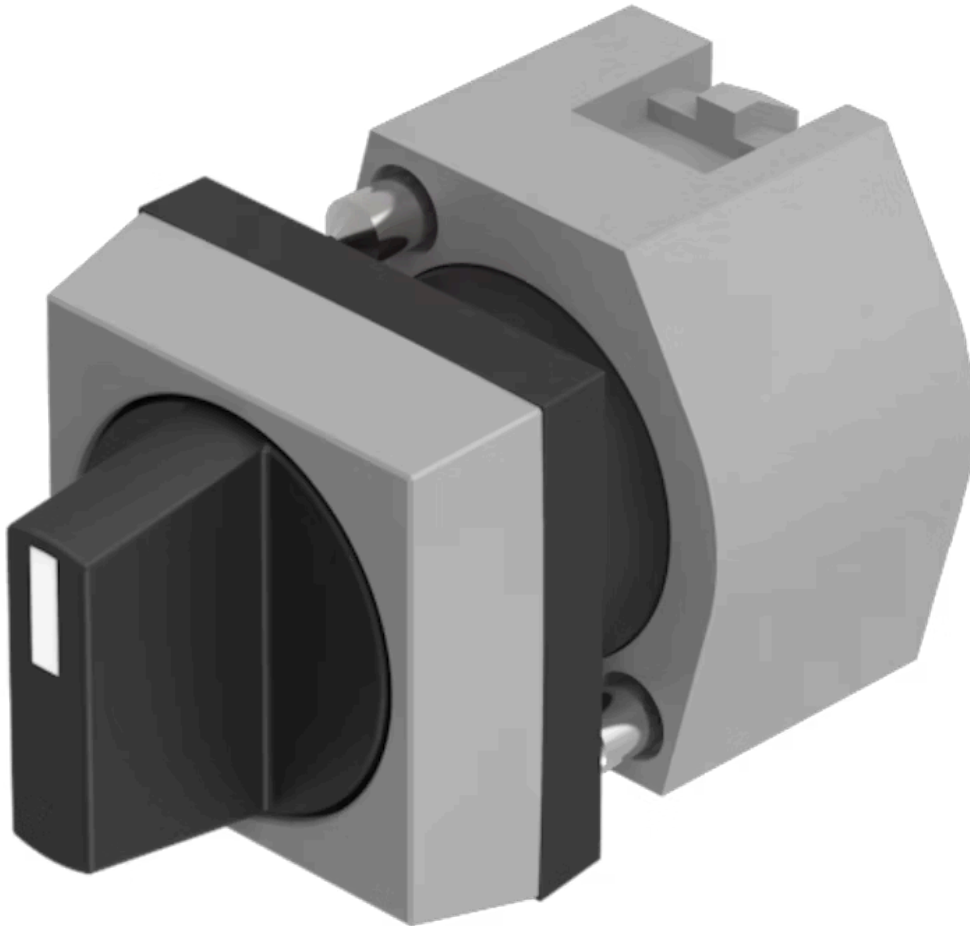


Actuator

704.504.0



<https://eao.com/p/704.504.0>

Your product:



704.504.0 Actuator

FRONT

Front dimension:	30 mm x 30 mm
Front form:	square
Front bezel colour:	Grey
Front bezel material:	Plastic

MOUNTING

Design:	raised
Mounting type:	Panel mounting

OPERATING-/INDICATION PART

Lever colour:	Black
Lever material:	plastic
Lever shape:	short

ELECTRICAL CHARACTERISTICS

Standards:	The switches comply with the "Standards for low-voltage switching devices" DIN EN 60947-1
-------------------	---

MECHANICAL CHARACTERISTIC

Switching action:	Momentary - Rest - Momentary
Switching positions:	3 positions
Switching angle:	42° left / 42° right
Mechanical lifetime:	≤2.5 Mio. cycles of operation

Weight: 0.034 kg

AMBIENT CONDITION

IP Protection: IP65 front side

Operating temperature: - 40 °C ... + 55 °C

Storage temperature: - 40 °C ... + 85 °C

CERTIFICATE

REACH: REACH compliant

RoHS: RoHS compliant

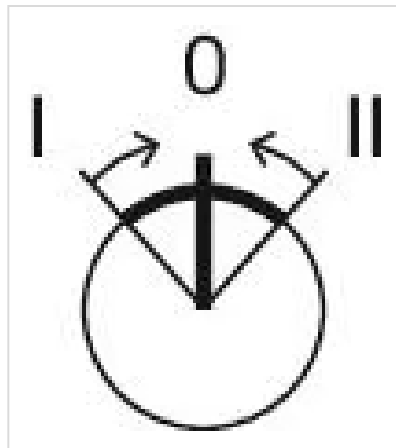
OTHER

Short Description: Actuator, 30 mm x 30 mm, non illuminative, Black, short, square, Grey, Plastic, Momentary - Rest - Momentary

Hints: Max. 3 switching elements can be clipped on

max. number of switching elements: 3

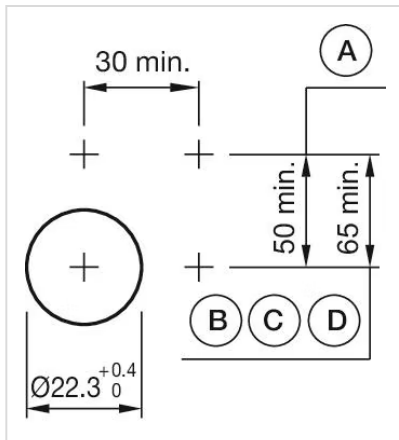
Switching positions:



Wiring diagrams:

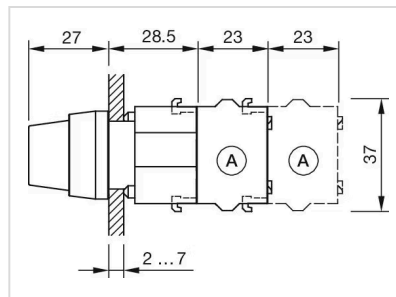


Mounting cut-outs:



A = Screw terminal
 B = Push-in terminal (PIT)
 C = Plug-in terminal 6.3 mm x 0.8 mm
 D = Double plug-in terminal 6.3 mm x 0.8 mm

Dimension drawings:



A = Screw terminal