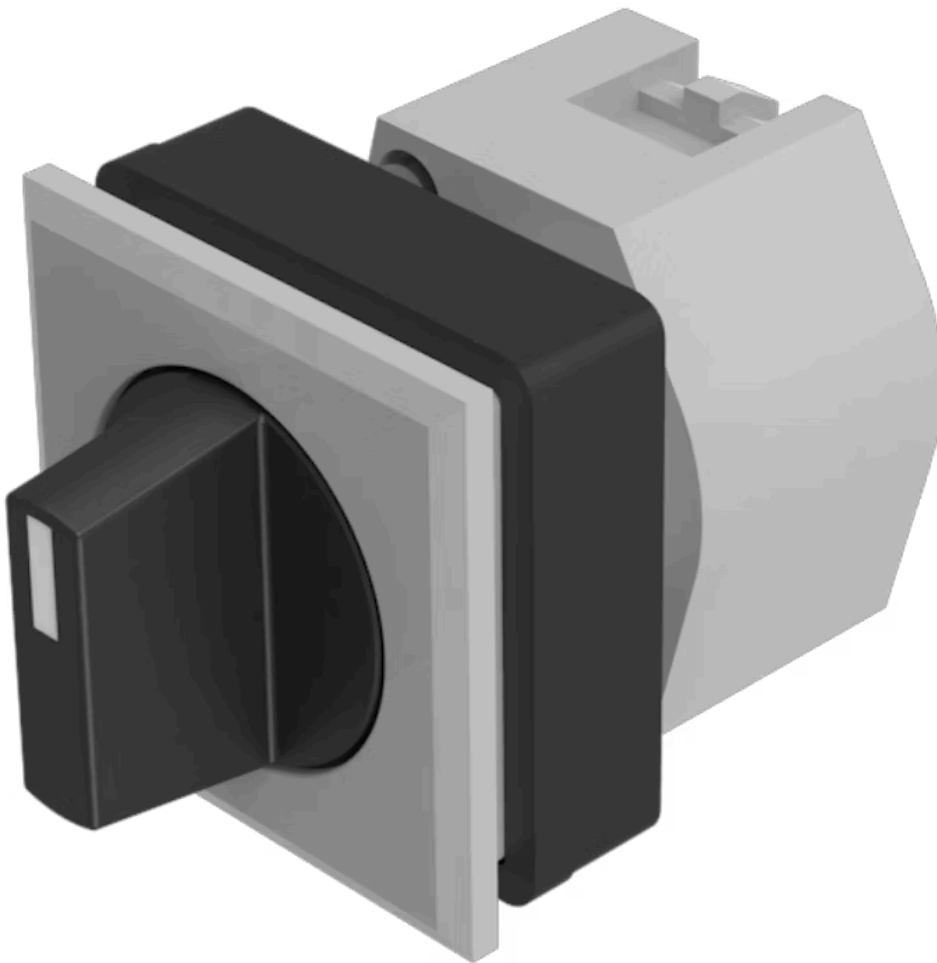


# Actuator

704.504.008



<https://eao.com/p/704.504.008>

Your product:

---



## 704.504.008 Actuator

### FRONT

<b>Front dimension:</b>	35 mm x 35 mm
<b>Front form:</b>	square
<b>Front bezel colour:</b>	Silver
<b>Front bezel material:</b>	Plastic

### MOUNTING

<b>Design:</b>	flush
<b>Mounting cut-out:</b>	30 mm x 30 mm
<b>Mounting type:</b>	Panel mounting

### OPERATING-/INDICATION PART

<b>Lever colour:</b>	Black
<b>Lever bar colour:</b>	White
<b>Lever material:</b>	plastic
<b>Lever shape:</b>	short

### ELECTRICAL CHARACTERISTICS

<b>Standards:</b>	The switches comply with the "Standards for low-voltage switching devices" DIN EN 60947-1
-------------------	---

### MECHANICAL CHARACTERISTIC

<b>Switching action:</b>	Momentary - Rest - Momentary
<b>Switching positions:</b>	3 positions

**Switching angle:** 42° left / 42° right  
**Mechanical lifetime:** ≤2.5 Mio. cycles of operation  
**Weight:** 0.056 kg

**AMBIENT CONDITION**

**IP Protection:** IP65 front side  
**Operating temperature:** - 40 °C ... + 55 °C  
**Storage temperature:** - 40 °C ... + 85 °C

**CERTIFICATE**

**REACH:** REACH compliant  
**RoHS:** RoHS compliant

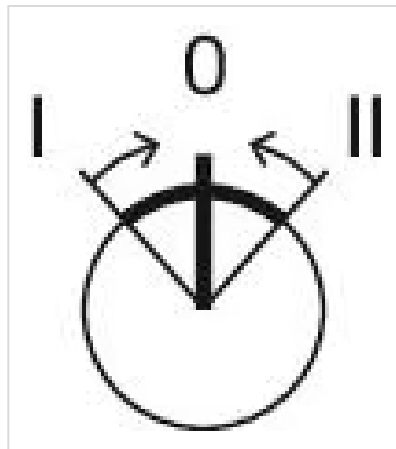
**OTHER**

**Short Description:** Actuator, 30 mm x 30 mm, 35 mm x 35 mm, non illuminative, Black, short, square, Silver, Plastic, Momentary - Rest - Momentary

**Hints:** Max. 3 switching elements can be clipped on

**max. number of switching elements:** 3

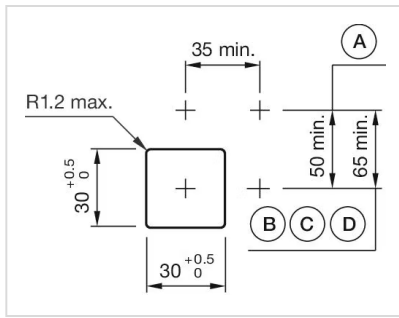
**Switching positions:**



**Wiring diagrams:**

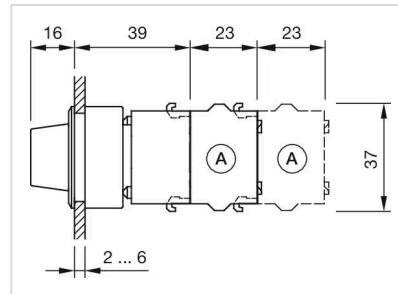


**Mounting cut-outs:**



A = Screw terminal  
 B = Push-in terminal (PIT)  
 C = Plug-in terminal 6.3 mm x 0.8 mm  
 D = Double plug-in terminal 6.3 mm x 0.8 mm

**Dimension drawings:**



A = Screw terminal