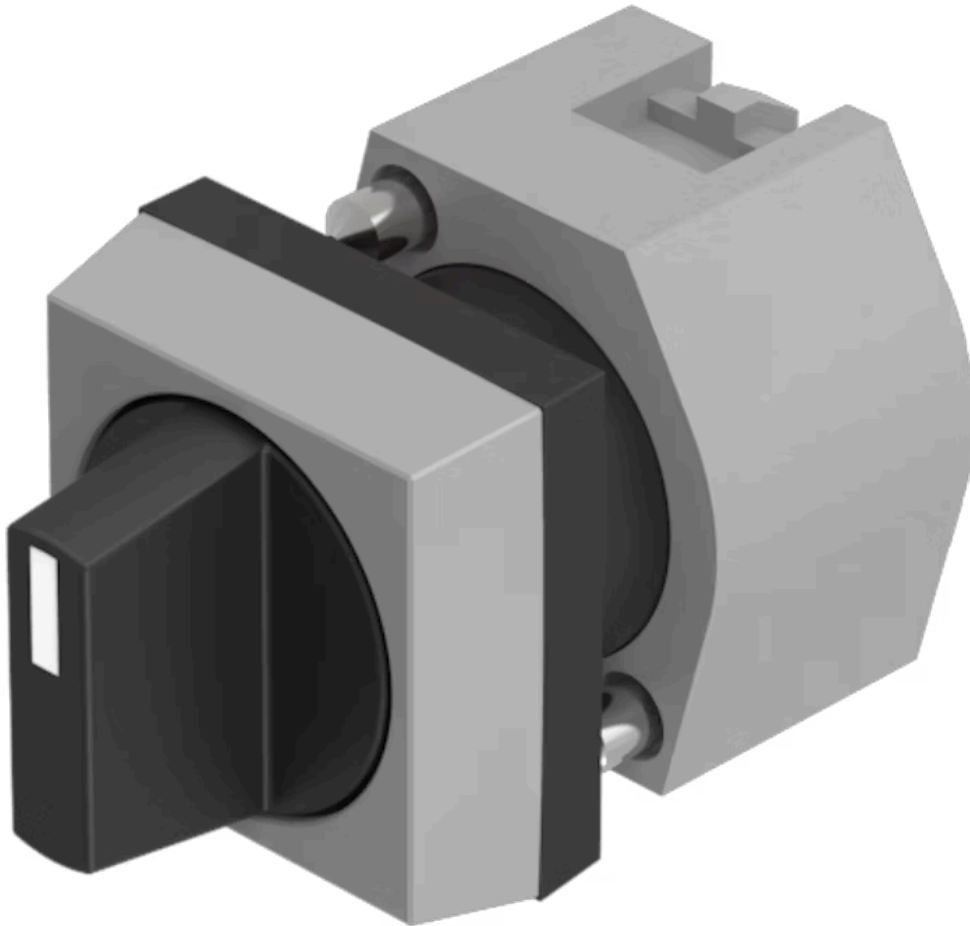


Actuator

704.510.0



<https://eao.com/p/704.510.0>

Your product:



704.510.0 Actuator

FRONT

| | |
|------------------------------|---------------|
| Front dimension: | 30 mm x 30 mm |
| Front form: | square |
| Front bezel colour: | Grey |
| Front bezel material: | Plastic |

MOUNTING

| | |
|-----------------------|----------------|
| Design: | raised |
| Mounting type: | Panel mounting |

OPERATING-/INDICATION PART

| | |
|------------------------|---------|
| Lever colour: | Black |
| Lever material: | plastic |
| Lever shape: | short |

ELECTRICAL CHARACTERISTICS

| | |
|-------------------|---|
| Standards: | The switches comply with the "Standards for low-voltage switching devices" DIN EN 60947-1 |
|-------------------|---|

MECHANICAL CHARACTERISTIC

| | |
|-----------------------------|-------------------------------|
| Switching action: | Rest - Maintained |
| Switching positions: | 2 positions |
| Switching angle: | 90° right / -45° ... +45° |
| Mechanical lifetime: | ≤2.5 Mio. cycles of operation |

Weight: 0.034 kg

AMBIENT CONDITION

IP Protection: IP65 front side

Operating temperature: - 40 °C ... + 55 °C

Storage temperature: - 40 °C ... + 85 °C

CERTIFICATE

REACH: REACH compliant

RoHS: RoHS compliant

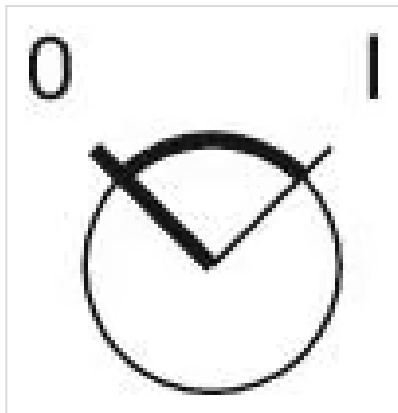
OTHER

Short Description: Actuator, 30 mm x 30 mm, non illuminative, Black, short, square, Grey, Plastic, Rest - Maintained

Hints: Max. 3 switching elements can be clipped on

max. number of switching elements: 3

Switching positions:



Wiring diagrams:

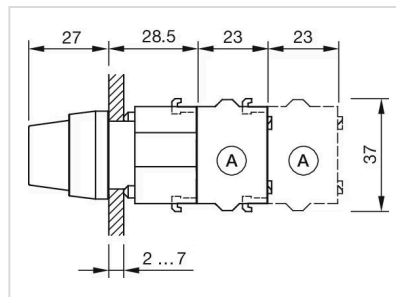


Mounting cut-outs:



A = Screw terminal
 B = Push-in terminal (PIT)
 C = Plug-in terminal 6.3 mm x 0.8 mm
 D = Double plug-in terminal 6.3 mm x 0.8 mm

Dimension drawings:



A = Screw terminal