

Actuator

704.510.0001



<https://eao.com/p/704.510.0001>

Your product:



704.510.000I Actuator

FRONT

| | |
|------------------------------|---------------|
| Front dimension: | 35 mm x 35 mm |
| Front form: | square |
| Front bezel colour: | Black |
| Front bezel material: | Plastic |

MOUNTING

| | |
|--------------------------|----------------|
| Design: | flush |
| Mounting cut-out: | 30 mm x 30 mm |
| Mounting type: | Panel mounting |

OPERATING-/INDICATION PART

| | |
|--------------------------|---------|
| Lever colour: | Black |
| Lever bar colour: | Yellow |
| Lever material: | plastic |
| Lever shape: | short |

MECHANICAL CHARACTERISTIC

| | |
|-----------------------------|-------------------------------|
| Switching action: | Rest - Maintained |
| Switching positions: | 2 positions |
| Switching angle: | 90° right |
| Mechanical lifetime: | ≤2.5 Mio. cycles of operation |
| Weight: | 0.056 kg |

CERTIFICATE

REACH: REACH compliant

RoHS: RoHS compliant

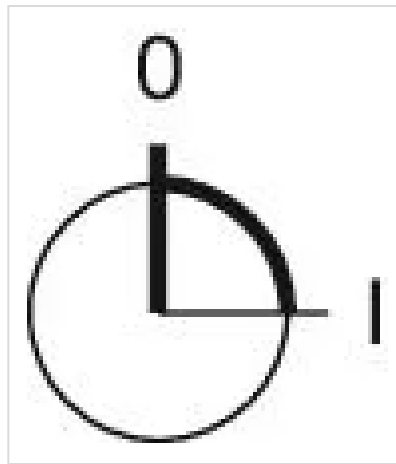
OTHER

Short Description: Actuator, 30 mm x 30 mm, 35 mm x 35 mm, optional illuminative, Black, short, square, Black, Plastic, Rest - Maintained

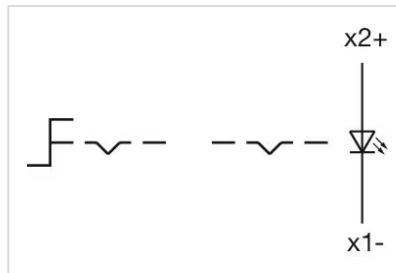
Hints: Max. 3 switching elements can be clipped on

max. number of switching elements: 3

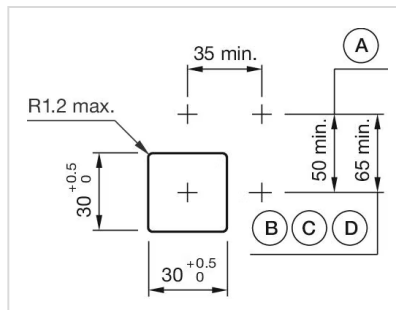
Switching positions:



Wiring diagrams:

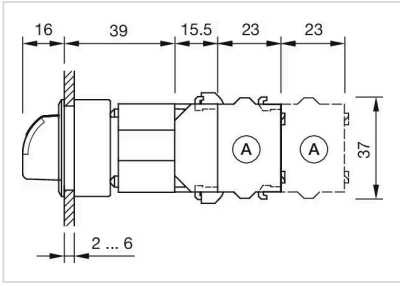


Mounting cut-outs:



- A = Screw terminal
- B = Push-in terminal (PIT)
- C = Plug-in terminal 6.3 mm x 0.8 mm
- D = Double plug-in terminal 6.3 mm x 0.8 mm

Dimension drawings:



A = Screw terminal