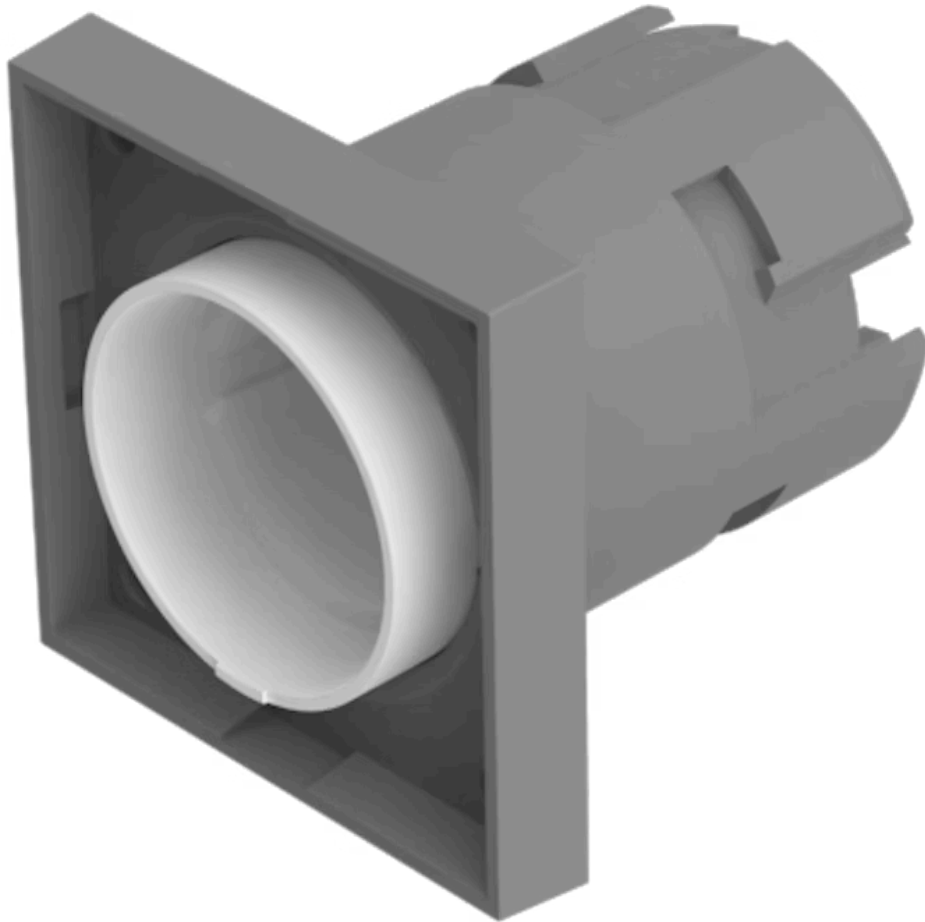


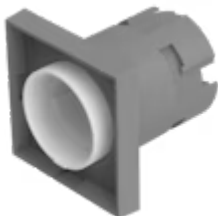
Actuator

704.732.1



<https://eao.com/p/704.732.1>

Your product:



704.732.1 Actuator

FRONT

Front dimension: 30 mm x 30 mm

Front form: square

MOUNTING

Design: raised

Mounting type: Panel mounting

OPERATING-/INDICATION PART

Lens illumination: illuminative

ELECTRICAL CHARACTERISTICS

Standards: The switches comply with the "Standards for low-voltage switching devices" DIN EN 60947-1

MECHANICAL CHARACTERISTIC

Switching action: Maintained

Mechanical lifetime: ≤3 Mio. cycles of operation

Operating force: 8 N

Operating Travel: ca. 5.8 mm ± 0.2 mm

Weight: 0.009 kg

AMBIENT CONDITION

IP Protection: IP65 front side

Operating temperature: - 40 °C ... + 55 °C

Storage temperature: - 40 °C ... + 85 °C

CERTIFICATE

REACH: REACH compliant

RoHS: RoHS compliant

OTHER

Short Description: Actuator, 30 mm x 30 mm, illuminative, square, Maintained

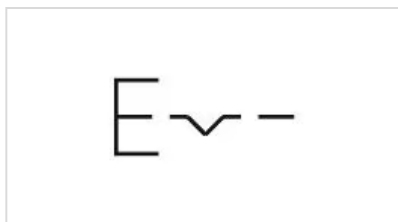
Housing colour: Grey

Housing material: Plastic

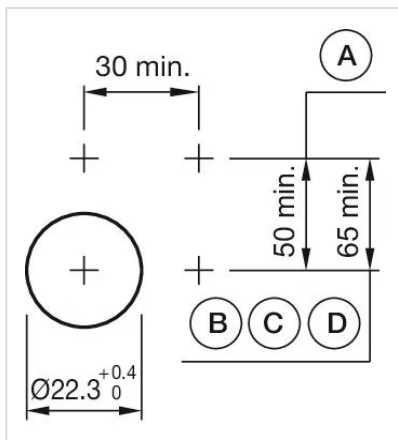
Hints: Max. 3 switching elements can be clipped on

max. number of switching elements: 3

Wiring diagrams:

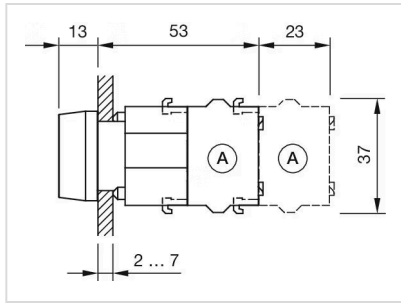


Mounting cut-outs:

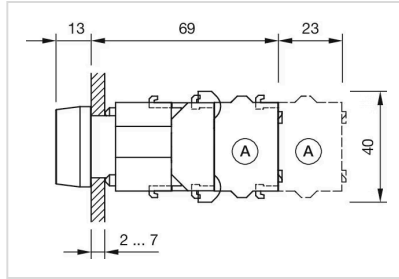


A = Screw terminal
B = Push-in terminal (PIT)
C = Plug-in terminal 6.3 mm x 0.8 mm
D = Double plug-in terminal 6.3 mm x 0.8 mm

Dimension drawings:



A = Screw terminal



A = Screw terminal