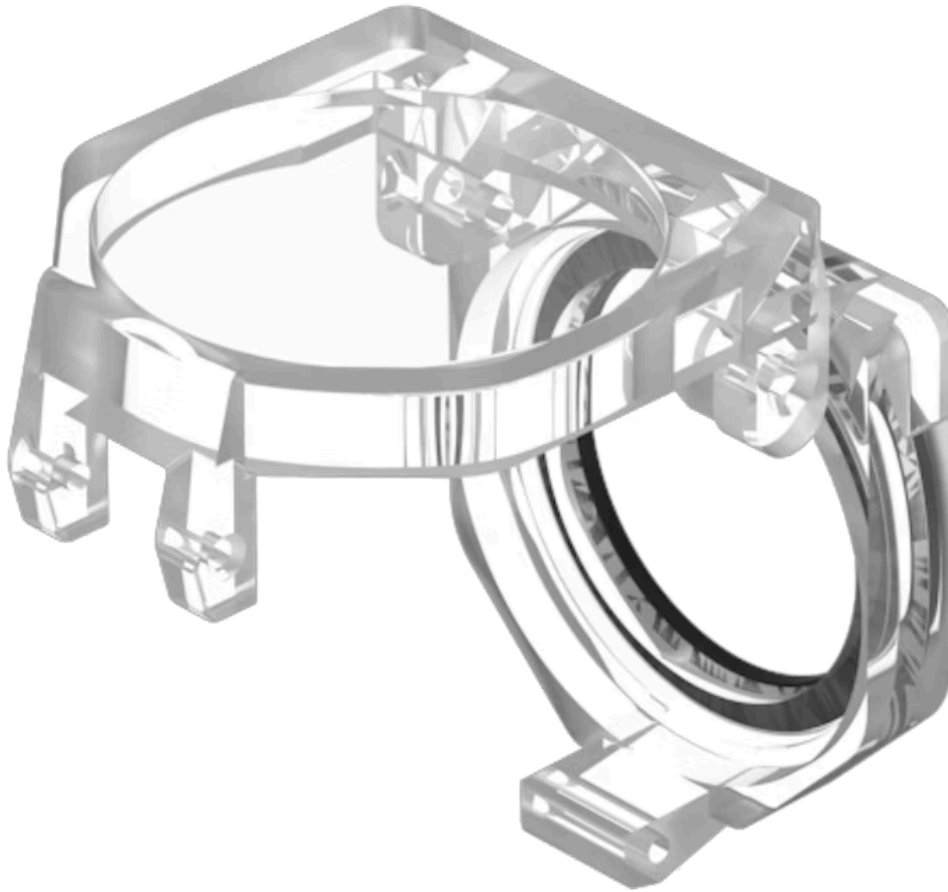


# Protection cover

704.925.3



<https://www.eao.com/p/704.925.3>

Your product:

---



## 704.925.3 Protection cover

### MECHANICAL CHARACTERISTIC

**Weight:** 0.007 kg

### OTHER

**Short Description:** Protection cover, Plastic, transparent

**Titel Accessory:** Protection cover

**Material:** Plastic

**Product attributes:** For pushbutton, with spring fitted

**Hints:** Hinged, with means for sealing

**Optics:** transparent

**Dimension drawings:**

