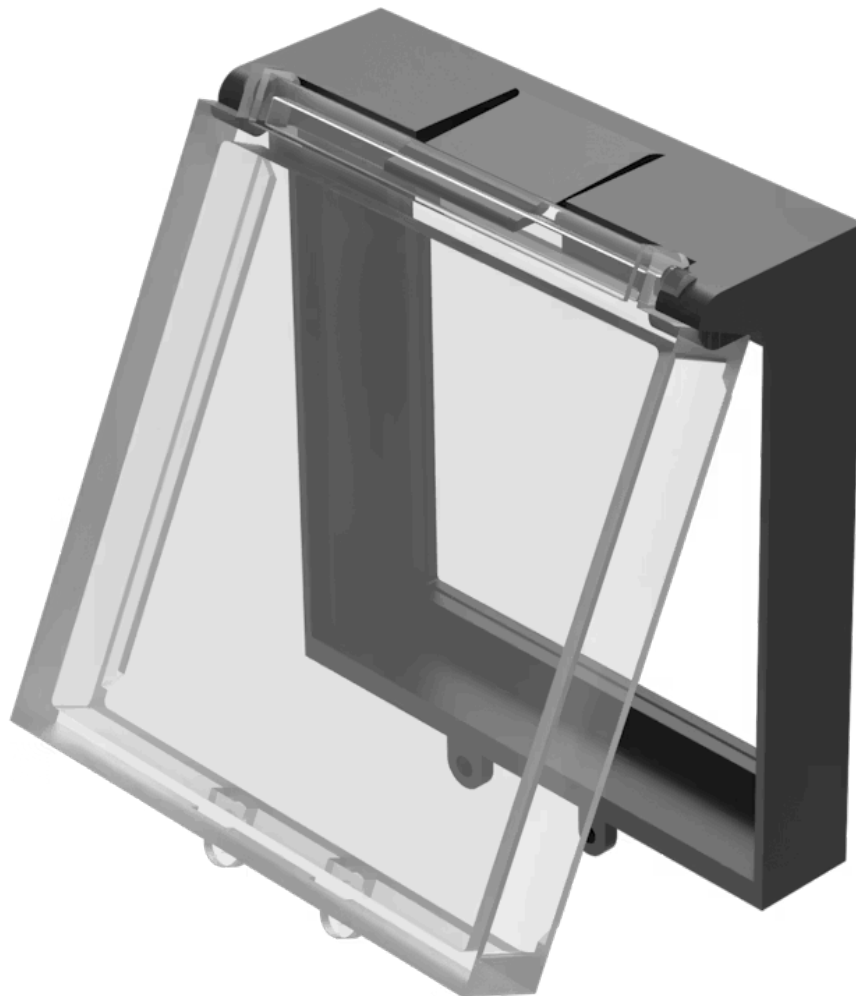


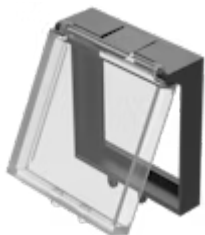
Protective cover

704.925.8



<https://www.eao.com/component/704.925.8/en/pr...>

Your product:



704.925.8 Protective cover

MOUNTING

Mounting cut-out: 30 mm x 30 mm

ELECTRICAL CHARACTERISTICS

Forward voltage:

MECHANICAL CHARACTERISTICS

Weight: 0.007 kg

OTHER

Short Description: Protective cover, 38.5 mm x 45 mm, 30 mm x 30 mm, Plastic, transparent

Titel Accessory: Protective cover

Dimension: 38.5 mm x 45 mm

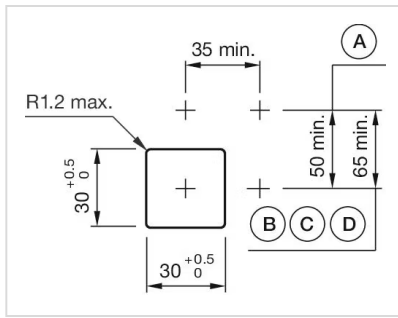
Material: Plastic

Product attributes: For push button

Hints: Hinged, with means for sealing
Front panel thickness reduces by 2 mm
Please note that bigger minimum distances are necessary

Optics: transparent

Mounting cut-outs:



- A = Screw terminal
- B = Push-in terminal (PIT)
- C = Plug-in terminal 6.3 mm x 0.8 mm
- D = Double plug-in terminal 6.3 mm x 0.8 mm

Dimension drawings:

