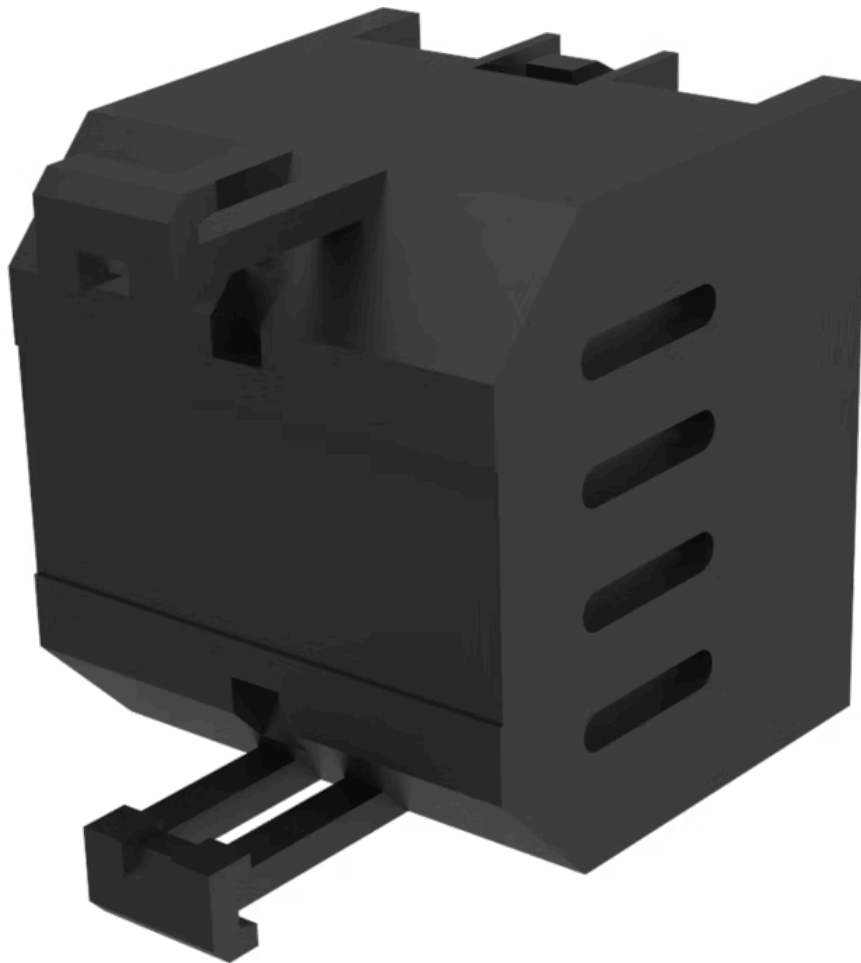


# Diode block 1N4007

704.942.5P



<https://www.eao.com/p/704.942.5P>

Your product:



## 704.942.5P Diode block 1N4007

### MECHANICAL CHARACTERISTIC

**Terminal:** Push-in terminal

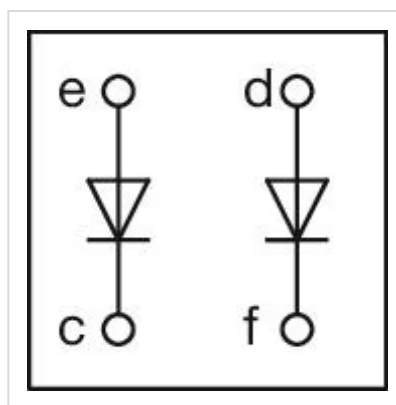
**Weight:** 0.016 kg

### OTHER

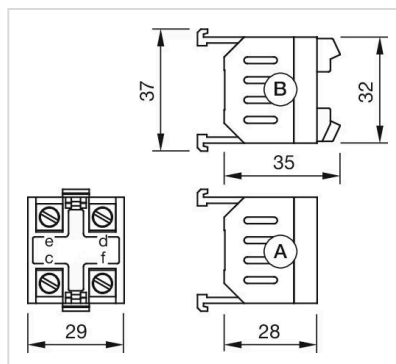
**Short Description:** Diode block 1N4007, Push-in terminal

**Titel Accessory:** Diode block 1N4007

**Wiring diagrams:**



**Dimension drawings:**



A = Screw terminal  
Push-in terminal (PIT)