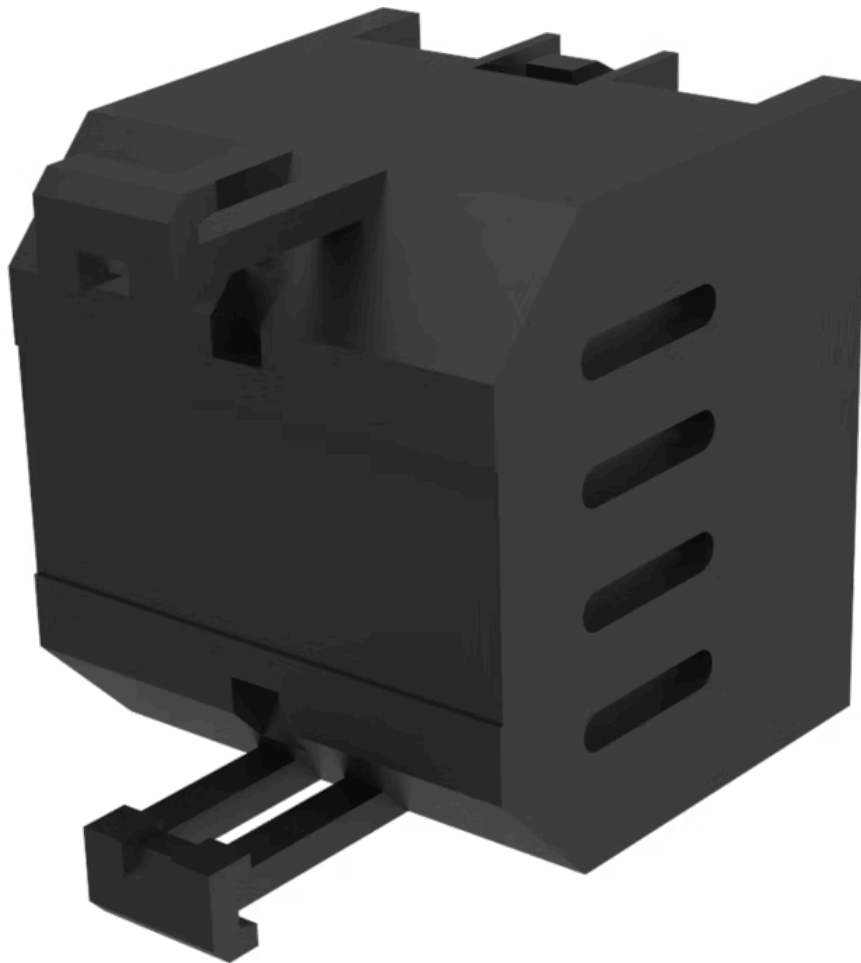


Flasher element

704.943.2



<https://www.eao.com/p/704.943.2>

Your product:



704.943.2 Flasher element

ELECTRICAL CHARACTERISTICS

Operating voltage: 130 V AC/DC +10%

Operation current: 3 mA

MECHANICAL CHARATERISTIC

Terminal: Screw terminal

Weight: 0.024 kg

AMBIENT CONDITION

IP Protection: IP30 rear side

Operating temperature: 0 °C ... + 50 °C

CERTIFICATE

REACH: REACH compliant

RoHS: RoHS compliant

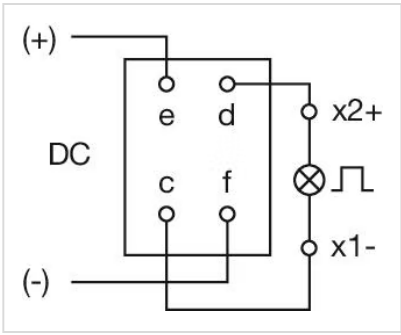
OTHER

Short Description: Flasher element, 130 V AC/DC +10%, Screw terminal

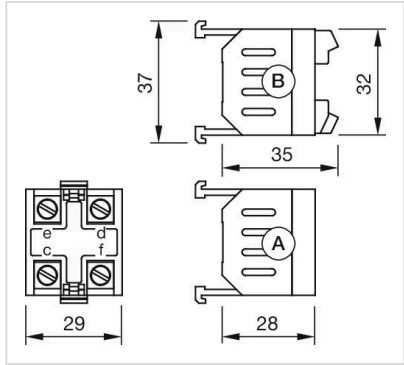
Housing material: Plastic, according to UL 94 V0

Product attributes: Lamp voltage/-current 130 V, 3 mA

Wiring diagrams:



Dimension drawings:



A = Screw terminal
 Push-in terminal (PIT)