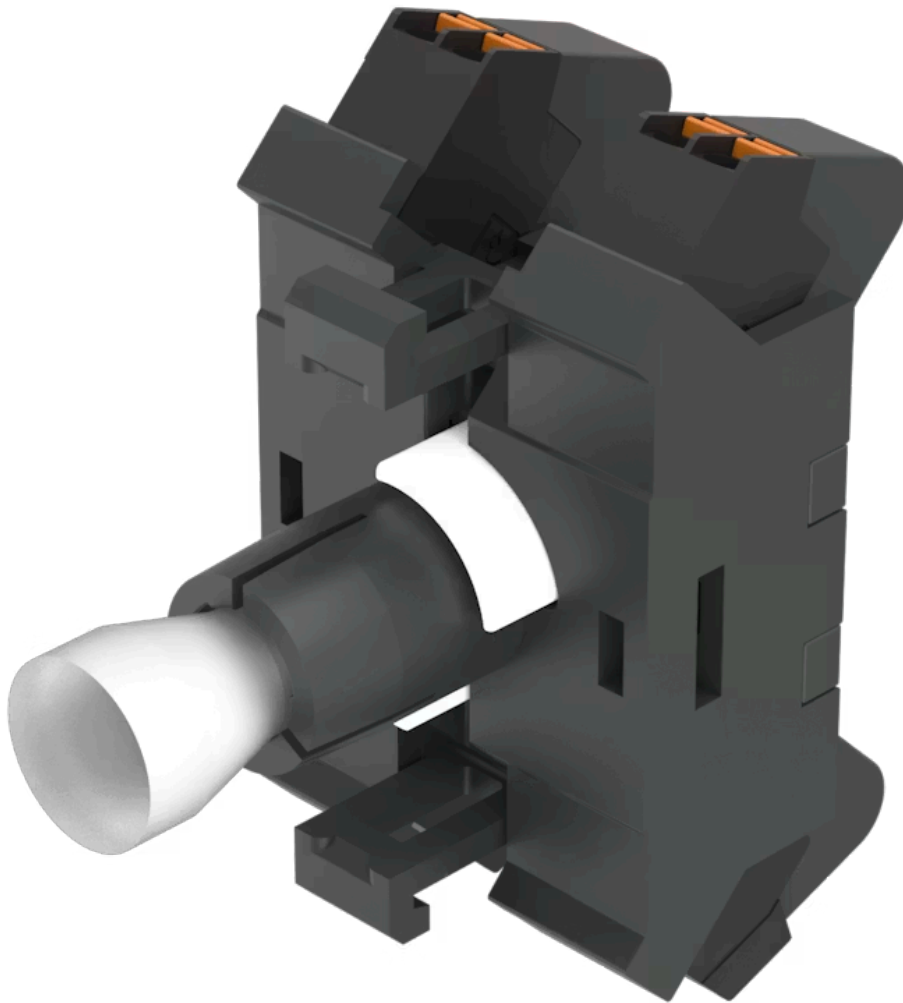


Lamp block

704.952.159.3



<https://www.eao.com/component/704.952.159.3/e...>

Your product:



704.952.159.3 Lamp block

OPERATING-/INDICATION PART

Illumination colour: White / White

ELECTRICAL CHARACTERISTICS

Operating voltage: 110 V AC/DC (-30% / +25%)

Operation current: 8 mA

MECHANICAL CHARACTERISTICS

Terminal: Push-in terminal

Wire cross section: Max. wire cross-section 2 wires with 1 mm
Skinning wire 8 mm
Max. wire cross-section of stranded cable 2 x 0.75 mm²
use stranded wires only with wire end ferrules of 8 mm length
Only one polarity is allowed on each side when wiring.

Weight: 0.014 kg

AMBIENT CONDITION

IP Protection: IP20

Operating temperature: - 40 °C ... + 55 °C

Storage temperature: - 40 °C ... + 85 °C

Shock resistance: Max. 500 m/s², pulse width 11 ms (sinusoidal DIN EN 60068-2-27)

Climate resistance: Relative humidity, max. 95%, non-condensing

CERTIFICATE

Approbations: EN 45545, UL-94 V0

REACH:

REACH compliant

RoHS:

RoHS compliant

OTHER

Short Description:

Lamp block, Plastic, Push-in terminal

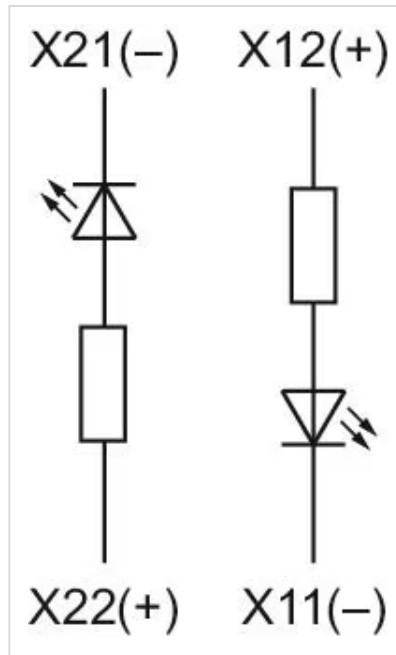
Housing material:

Plastic

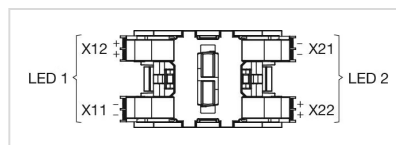
Hints:

When using the lamp block, the application guidelines must be observed.

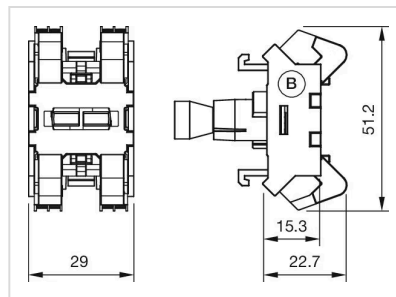
Wiring diagrams:



Component layouts:



Dimension drawings:



B = Push-in terminal (PIT)