

# Legend frame

704.968.3



Your product:

---



## 704.968.3 Legend frame

### FRONT

**Colour:** Black

### MOUNTING

**Design:** Flush

**Mounting type:** adhesive

### ELECTRICAL CHARACTERISTICS

**Forward voltage:**

### MECHANICAL CHARACTERISTICS

**Weight:** 0.001 kg

### OTHER

**Short Description:** Legend frame, 35 mm x 57.5 mm x 0.75 mm, Aluminium, adhesive, Black, anodised

**Titel Accessory:** Legend frame

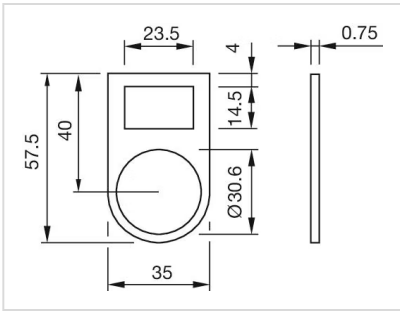
**Dimension:** 35 mm x 57.5 mm x 0.75 mm

**Material:** Aluminium

**Product attributes:** For flush design

**Hints:** The colour of anodised aluminium parts can vary due to technical production reasons

**Dimension drawings:**



for Part No. 704.968.3