

Actuator

71-600.0



<https://www.eao.com/p/71-600.0>

Your product:



71-600.0 Actuator

MOUNTING

Mounting type: Panel mounting

ELECTRICAL CHARACTERISTICS

Switching rating:

MECHANICAL CHARACTERISTIC

Weight: 0.005 kg

AMBIENT CONDITION

IP Protection: IP65 front side

Operating temperature: - 25 °C ... + 55 °C

CERTIFICATE

REACH: REACH compliant

RoHS: RoHS compliant

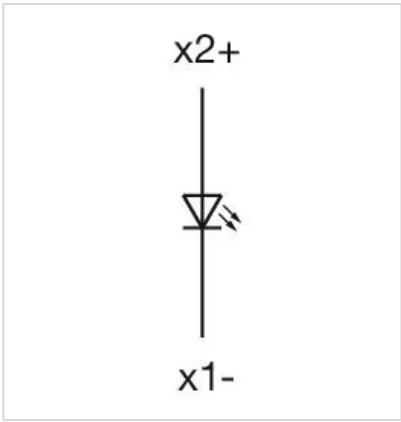
OTHER

Short Description: Actuator

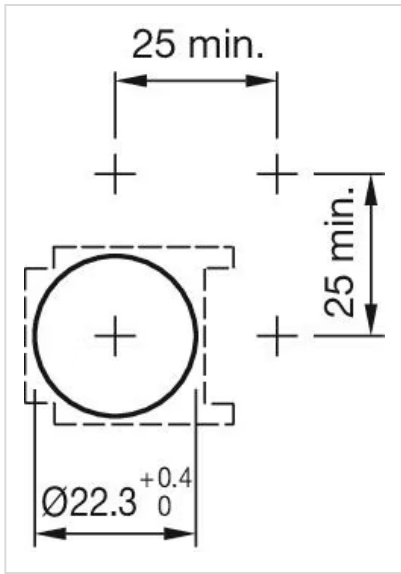
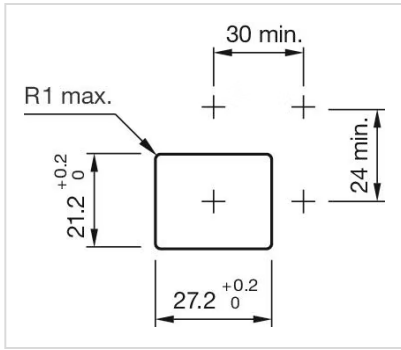
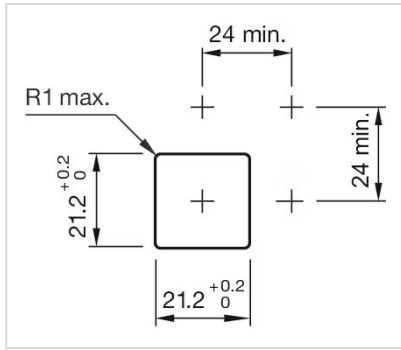
Material: Plastic

Hints: Pitch of the front plate mounting holes must agree with the printed circuit board holes Ø 3.5 mm

Wiring diagrams:



Mounting cut-outs:



Dimension drawings:

