

# Actuator

71-611.0



<https://eao.com/p/71-611.0>

Your product:

---



## 71-611.0 Actuator

### MOUNTING

**Mounting type:** Panel mounting

### OPERATING-/INDICATION PART

**Lens illumination:** illuminative

### ELECTRICAL CHARACTERISTICS

**Switching voltage and switching current:**

Switch rating AC  $\cos\phi$  0,7 ... 0,8  
gemäss EN IEC 60947-5-1

Voltage 250 VAC  
Current 3 A

Switch rating DC  
gemäss EN IEC 60947-5-1

Voltage 24 VDC 250 VDC  
Current 3 A 0.5 A

**Surge voltage resistance:** 2500 VAC, 50 Hz, 1 minute, as per DIN / IEC 60512-2 between all terminals and earth

**Recommended minimum operational data:**

Voltage 5 VAC/DC  
Current 10 mA

### MECHANICAL CHARACTERISTIC

<b>Switching action:</b>	Momentary
<b>Switching system:</b>	Self-cleaning, double-break snap action switching system, 1 normally closed and 1 normally open contact per element.
<b>Mechanical lifetime:</b>	2 Mio. cycles of operation
<b>Operating force:</b>	3 N ... 7 N
<b>Operating Travel:</b>	ca. 3 mm
<b>Tightening torque:</b>	Fixing nut max. 0.5 Nm
<b>Weight:</b>	0.005 kg

### AMBIENT CONDITION

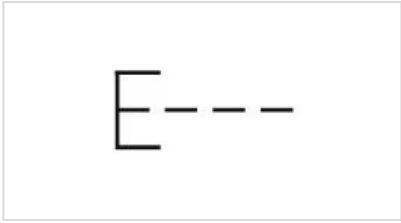
<b>IP Protection:</b>	IP65 front side
<b>Operating temperature:</b>	- 25 °C ... + 55 °C
<b>Storage temperature:</b>	- 40 °C ... + 85 °C
<b>Shock resistance:</b>	Max. 500 m/s <sup>2</sup> , pulse width, 3-axis (sinusoidal EN IEC 60068-2-27)
<b>Vibration resistance:</b>	Max. 100 m / s <sup>2</sup> from 10 Hz ... 500 Hz, (sinusoidal EN IEC 60068-2-6)
<b>Climate resistance:</b>	Damp heat, steady: 56 days, + 40 °C/93 % relative humidity, according to EN IEC 60068-2-78

### CERTIFICATE

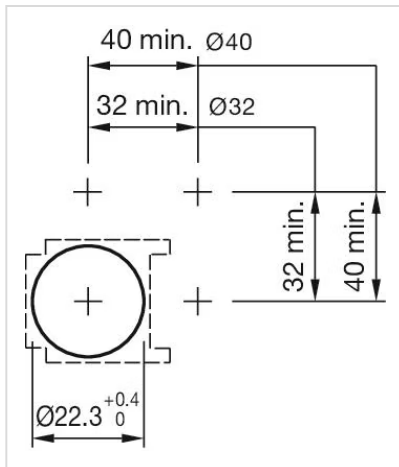
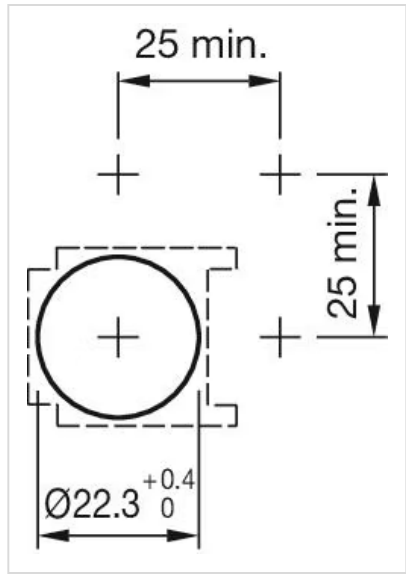
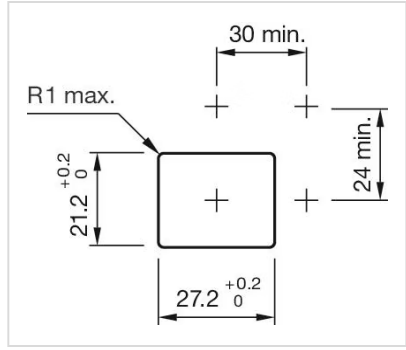
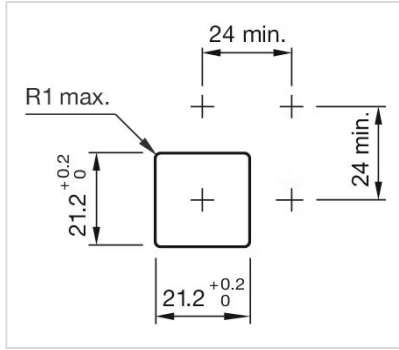
<b>Conformities:</b>	CE, UKCA, 2011 / 65 / EC (RoHS), 2014 / 35 / EU (LVD)
<b>REACH:</b>	REACH compliant
<b>RoHS:</b>	RoHS compliant

### OTHER

<b>Short Description:</b>	Actuator, illuminative, Momentary
<b>Housing colour:</b>	Black
<b>Housing material:</b>	Plastic, according to UL 94 V0
<b>Product attributes:</b>	Pitch of the front plate mounting holes must agree with the printed circuit board holes Ø 3.5 mm
<b>Hints:</b>	Pitch of the front plate mounting holes must agree with the printed circuit board holes Ø 3.5 mm
<b>Wiring diagrams:</b>	



**Mounting cut-outs:**



Dimension drawings:

