

Actuator

84-1101.0



<https://eao.com/p/84-1101.0>

Your product:



84-1101.0 Actuator

FRONT

Front dimension:	Ø 25 mm
Front form:	round
Front bezel colour:	Black
Front bezel material:	Plastic

MOUNTING

Design:	flush
Mounting cut-out:	Ø 22.5 mm
Mounting type:	Panel mounting

OPERATING-/INDICATION PART

Lens illumination:	illuminative
---------------------------	--------------

MECHANICAL CHARACTERISTIC

Switching action:	Momentary
Switching system:	Short-travel element
Mechanical lifetime:	≥1 Mio. cycles of operation
Operating force:	4.5 N ±1 N (measured at the lens)
Operating Travel:	1.2 mm
Tightening torque:	Fixing nut 0.8 Nm
Weight:	0.003 kg

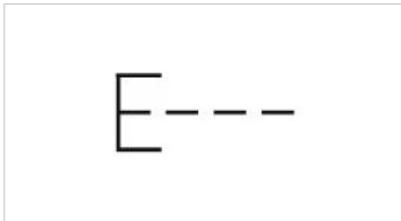
AMBIENT CONDITION

IP front protection:	IP67
IP Protection:	IP67
Operating temperature:	- 25 °C ... + 70 °C
Storage temperature:	- 40 °C ... + 85 °C
Climate resistance:	Damp heat, cyclic: 96 hours, + 25 °C/97 %, + 55 °C/93 % relative humidity, as per EN IEC 60068-2-30 Damp heat, steady: 56 days, + 40 °C/93 % relative humidity, according to EN IEC 60068-2-78 Rapid change of temperature: 100 cycles, - 40 °C ... + 80 °C, as per EN / IEC 60068-2-14

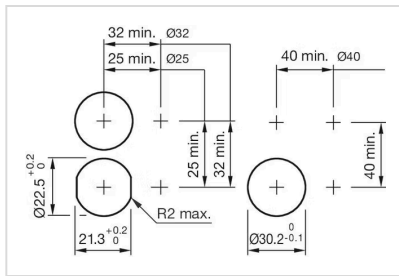
CERTIFICATE

Approbations:	EBC (TSI PRM), NFF
Conformities:	CE, UKCA, 2011 / 65 / EC (RoHS)
REACH:	REACH compliant
RoHS:	RoHS compliant

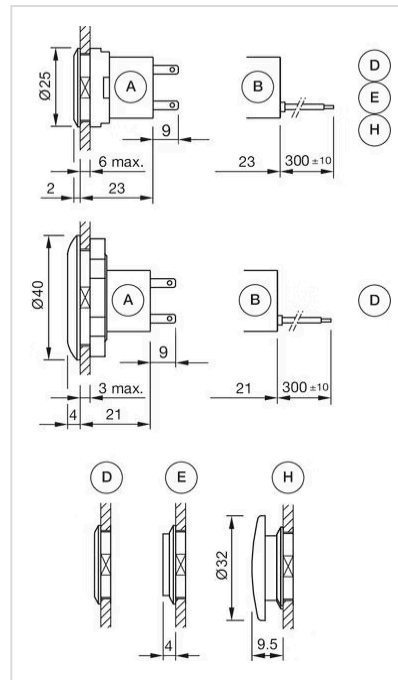
OTHER

Short Description:	Actuator, Ø 22.5 mm, Ø 25 mm, illuminative, round, Black, Plastic, Momentary, IP67
Dimension:	Ø 25 mm
Housing colour:	Black
Housing material:	Plastic
Wiring diagrams:	

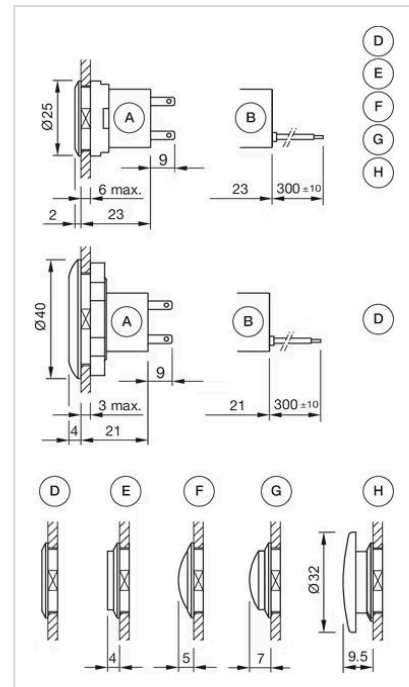
Mounting cut-outs:



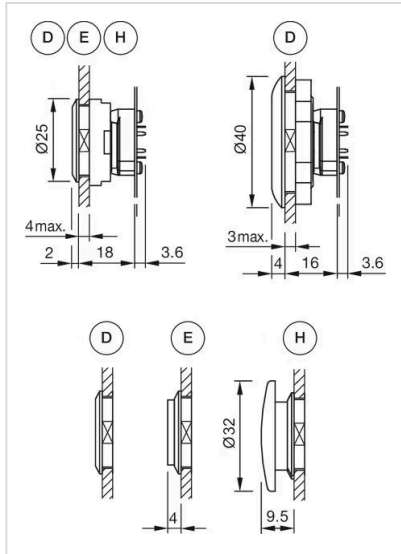
Dimension drawings:



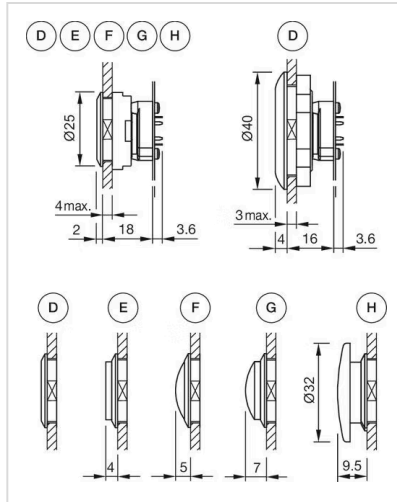
A = Plug-in terminal 2.8 mm x 0.8 mm
 B = Flat ribbon cable
 D = Lens level with bezel
 E = Lens raised above bezel
 H = Mushroom-head cap



A = Plug-in terminal 2.8 mm x 0.5 mm
 B = Flat ribbon cable
 D = Lens level with bezel
 E = Lens raised above bezel
 F = Lens konvexe level with bezel
 G = Lens konvexe raised above bezel
 H = Mushroom-head cap













A = Lens level with bezel
 E = Lens raised above bezel
 H = Mushroom-head cap



D = Lens level with bezel
 E = Lens raised above bezel
 F = Lens konvexe level with bezel
 G = Lens konvexe raised above bezel
 H = Mushroom-head cap

Where to Buy

	Distributor	Quantity in Stock	
	RS Americas	3311 in stock	Buy 
	Newark	782 in stock	Buy 
	element14 Singapore	782 in stock	Buy 
	Farnell UK	782 in stock	Buy 
	DigiKey	583 in stock	Buy 

[Show more](#) 

Powered by oemsecrets.com