

# Capacitive sensor switch with IO-Link Standard

84-ASKS-C16-04A6



<https://www.eao.com/component/84-ASKS-C16-04A...>

Your product:

---



## 84-ASKS-C16-04A6

Capacitive sensor switch with IO-Link Standard

### FRONT

<b>Front dimension:</b>	Ø 30 mm
<b>Front form:</b>	Round
<b>Front bezel material:</b>	Plastic

### MOUNTING

<b>Design:</b>	Flush
<b>Mounting cut-out:</b>	Ø 22.5 mm
<b>Mounting type:</b>	Panel mounting

### OPERATING-/INDICATION PART

<b>Lens material:</b>	Plastic
<b>Lens illumination:</b>	Illuminated
<b>Lens shape:</b>	Flush
<b>Lens optics:</b>	transparent
<b>Symbol:</b>	Standby (C16)

### ELECTRICAL CHARACTERISTICS

<b>Operating voltage:</b>	8.4 - 32 V DC
<b>Communication interface:</b>	IO-Link specification

### MECHANICAL CHARACTERISTICS

<b>Terminal:</b>	Connector M12
------------------	---------------

**Switching system:** Capacitive  
**Operating force:** No actuating force necessary  
**Weight:** 0.015 kg

#### **AMBIENT CONDITION**

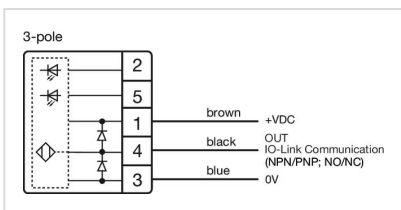
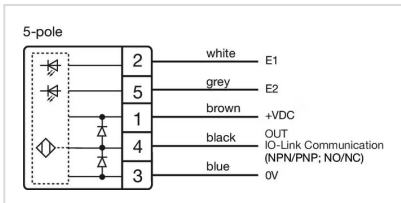
**IP front protection:** IP69K  
**IK front protection:** IK08  
**Operating temperature:** – 30 °C ... + 65 °C  
**Climate resistance:** Relative humidity, max. 95%, non-condensing

#### **CERTIFICATE**

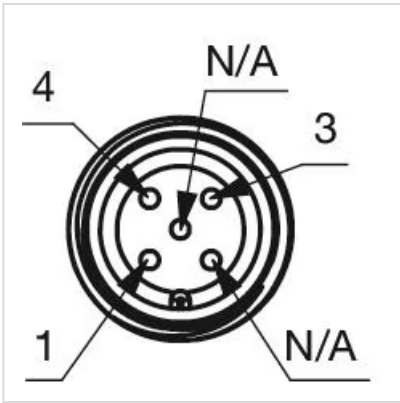
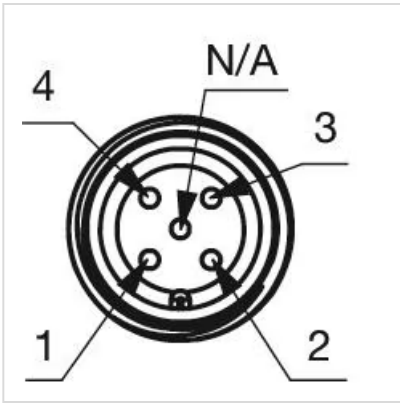
**Approbations:** CSA, EHEDG  
**Conformities:** CE, UKCA  
**REACH:** REACH compliant  
**RoHS:** RoHS compliant

#### **OTHER**

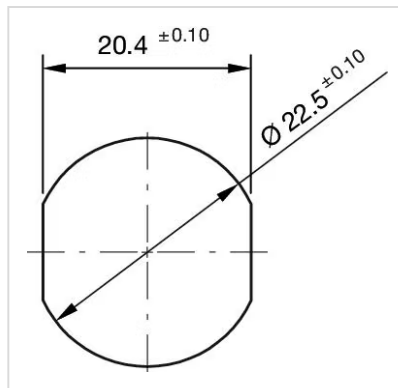
**Short Description:** Capacitive sensor switch with IO-Link Standard, Ø 22.5 mm, Ø 30 mm, Flush, Illuminated, Plastic, transparent, Round, Plastic, Connector M12, IP69K, IK08, Standby (C16)  
**Housing colour:** Black  
**Housing material:** Plastic  
**Wiring diagrams:**



**Component layouts:**



Mounting cut-outs:



Dimension drawings:

