

Actuator

92-
456.200



<https://eao.com/p/92-456.200>

Your product:



92-456.200 Actuator

FRONT

Front dimension:	18,4 mm x 18,4 mm
Front form:	square
Front bezel colour:	Black
Front bezel material:	Plastic

MOUNTING

Design:	PCB
Mounting type:	Panel mounting

OPERATING-/INDICATION PART

Lens colour:	Red
Lens material:	Plastic
Lens illumination:	non illuminative
Lens shape:	flush
Lens optics:	opaque

ELECTRICAL CHARACTERISTICS

Switching voltage and switching current:	Switching voltage	min. 50 m VAC/DC max. 42 VAC/DC
	Switching current	min. 10 µA AC/DC max. 100 mA AC/DC
	Power rating	max. 2 W

Electrical lifetime: 500 000 cycles of operation at 42VDC, 50mA, according to IEC 6512-5-9c

Electric strength: 500 VAC, 50 Hz, 1 minute according to IEC 60512-5-9c

Electrostatic discharge (ESD):

15 kV

MECHANICAL CHARACTERISTIC

Switching action:	Momentary
Switching system:	Short-travel element
Switching system:	Short-travel switching system with 2 independent contact points Guarantees reliable switching even of very light loads. Fitted with 1 normally open contact.
Mechanical lifetime:	≥1 Mio. cycles of operation
Operating force:	2.7 N ±1 N switching element, 5 N lens
Operating Travel:	ca. 0.4 mm switching element
Tightening torque:	Fixing nut max. 0.5 Nm, Fixing screw mounting flange 0.4 Nm
Weight:	0.002 kg

AMBIENT CONDITION

IP front protection:	IP40
IP Protection:	IP40 switching element (fluxproof to DIN 41640 Part 84), IP67 or IP40 front side
Operating temperature:	- 25 °C ... + 70 °C
Storage temperature:	- 40 °C ... + 80 °C
Shock resistance:	Max. 500 m/s ² , pulse width, 3-axis (sinusoidal EN IEC 60068-2-27)
Vibration resistance:	Max. 100 m / s ² from 10 Hz ... 500 Hz, 10 cycles, 3-axis (sinusoidal EN IEC 60068-2-6)

CERTIFICATE

Approbations:	CQC
Conformities:	CE, UKCA, 2011 / 65 / EC (RoHS), 2014 / 35 / EU (LVD)
REACH:	REACH compliant
RoHS:	RoHS compliant

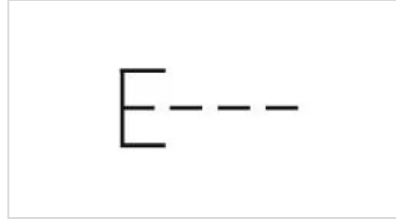
OTHER

Short Description:	Actuator, 18,4 mm x 18,4 mm, flush, non illuminative, Red, Plastic, opaque, square, Black, Plastic, Momentary, IP40
Dimension:	18.4 mm x 18.4 mm
Housing colour:	White

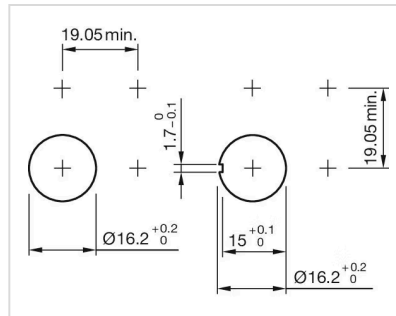
Housing material:

Plastic

Wiring diagrams:



Mounting cut-outs:



Dimension drawings:

