

# Actuator

92-  
456.900



<https://eao.com/p/92-456.900>

Your product:

---



## 92-456.900 Actuator

### FRONT

<b>Front dimension:</b>	18,4 mm x 18,4 mm
<b>Front form:</b>	square
<b>Front bezel colour:</b>	Black
<b>Front bezel material:</b>	Plastic

### MOUNTING

<b>Design:</b>	PCB
<b>Mounting type:</b>	Panel mounting

### OPERATING-/INDICATION PART

<b>Lens colour:</b>	White
<b>Lens material:</b>	Plastic
<b>Lens illumination:</b>	non illuminative
<b>Lens shape:</b>	flush
<b>Lens optics:</b>	opaque

### ELECTRICAL CHARACTERISTICS

<b>Switching voltage and switching current:</b>	Switching voltage	min. 50 m VAC/DC max. 42 VAC/DC
	Switching current	min. 10 µA AC/DC max. 100 mA AC/DC
	Power rating	max. 2 W

**Electrical lifetime:** 500 000 cycles of operation at 42VDC, 50mA, according to IEC 6512-5-9c

**Electric strength:** 500 VAC, 50 Hz, 1 minute according to IEC 60512-5-9c

**Electrostatic discharge (ESD):**

15 kV

## MECHANICAL CHARACTERISTIC

<b>Switching action:</b>	Momentary
<b>Switching system:</b>	Short-travel element
<b>Switching system:</b>	Short-travel switching system with 2 independent contact points Guarantees reliable switching even of very light loads. Fitted with 1 normally open contact.
<b>Mechanical lifetime:</b>	≥1 Mio. cycles of operation
<b>Operating force:</b>	2.7 N ±1 N switching element, 5 N lens
<b>Operating Travel:</b>	ca. 0.4 mm switching element
<b>Tightening torque:</b>	Fixing nut max. 0.5 Nm, Fixing screw mounting flange 0.4 Nm
<b>Weight:</b>	0.002 kg

## AMBIENT CONDITION

<b>IP front protection:</b>	IP40
<b>IP Protection:</b>	IP40 front side
<b>Operating temperature:</b>	- 25 °C ... + 70 °C
<b>Storage temperature:</b>	- 40 °C ... + 80 °C
<b>Shock resistance:</b>	Max. 500 m/s <sup>2</sup> , pulse width, 3-axis (sinusoidal EN IEC 60068-2-27)
<b>Vibration resistance:</b>	Max. 100 m / s <sup>2</sup> from 10 Hz ... 500 Hz, 10 cycles, 3-axis (sinusoidal EN IEC 60068-2-6)

## CERTIFICATE

<b>Approbations:</b>	CQC
<b>Conformities:</b>	CE, UKCA, 2011 / 65 / EC (RoHS), 2014 / 35 / EU (LVD)
<b>REACH:</b>	REACH compliant
<b>RoHS:</b>	RoHS compliant

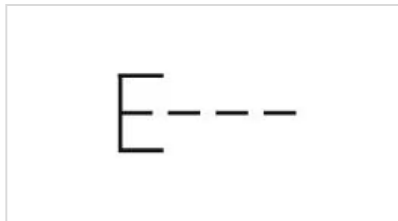
## OTHER

<b>Short Description:</b>	Actuator, 18,4 mm x 18,4 mm, flush, non illuminative, White, Plastic, opaque, square, Black, Plastic, Momentary, IP40
<b>Dimension:</b>	18.4 mm x 18.4 mm
<b>Housing colour:</b>	White

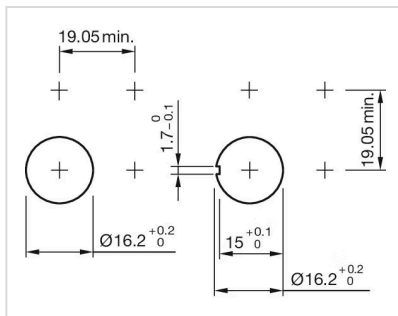
**Housing material:**

Plastic

**Wiring diagrams:**



**Mounting cut-outs:**



**Dimension drawings:**

