



THE FL.SERIES RANGE, THE FIRST 12MM /13.5MM PUSH BUTTON IN THE WORLD WITH A FULLY ILLUMINATED LENS.

Available in 12mm and 13.5mm standard mounting hole sizes, a unique high brightness full face illuminated switch and a non-illuminated version as a plug-in replacement for competitor products.

Designed and manufactured in France with IP67 sealing and rugged PA6.6 polyamide construction the FL series has superb tactile feedback and vibrant single or bi-colour multi-LED illumination.

MECHANICAL

| | |
|-----------------------|----------------------------|
| Travel (nom) | 2 mm ±0.3mm |
| Operating force (nom) | 5 N ±30% |
| Panel thickness (max) | 1 - 6 mm |
| Terminal type | Plug-in terminal 2.8 x 0.5 |
| Switching action | Momentary |

ELECTRICAL

| | |
|-----------------------|------------|
| Dielectric strength | 2500V a.c. |
| Insulation resistance | 1GΩ |
| Contact resistance | < 50mΩ |

LIGHTING

| | |
|-------------|-----------|
| Voltage | 5V |
| Current LED | 65 mA max |

ENVIRONMENTAL

| | |
|-----------------------------|----------------|
| Ingress protection | IP67 |
| Operating temperature range | -40°C to +85°C |



MATERIALS

| | |
|--------------------|----------------------|
| Body | PA 6.6 |
| Button | PC |
| Contacts | Gold plated nickel |
| Contacts terminals | Gold plated nickel |
| LED terminals | Silver plated nickel |

PART NUMBERS

NON-ILLUMINATED

| Ø13.5 | Ø12 | Cap |
|---------|---------|--------|
| FL13NN5 | FL12NN5 | Black |
| FL13NB5 | FL12NB5 | Blue |
| FL13NG5 | FL12NG5 | Green |
| FL13NO5 | FL12NO5 | Orange |
| FL13NR5 | FL12NR5 | Red |
| FL13NW5 | FL12NW5 | White |
| FL13NY5 | FL12NY5 | Yellow |

ILLUMINATED

| Ø13.5 | Ø12 | Cap |
|---------|---------|--------|
| FL13LB5 | FL12LB5 | Blue |
| FL13LG5 | FL12LG5 | Green |
| FL13LO5 | FL12LO5 | Orange |
| FL13LR5 | FL12LR5 | Red |
| FL13LW5 | FL12LW5 | White |
| FL13LY5 | FL12LY5 | Yellow |

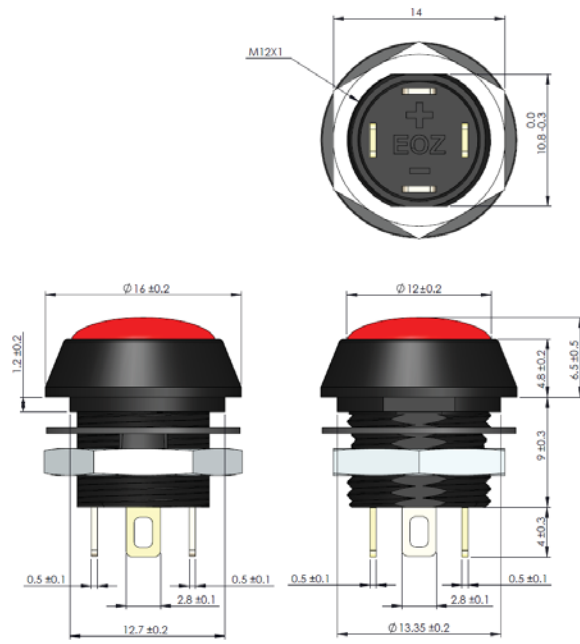
DUAL-COLOR ILLUMINATED

| Ø13.5 | Ø12 | Cap | Illumination color |
|----------|----------|-------------|--------------------|
| FL13DGB5 | FL12DGB5 | Milky white | Green or Blue |
| FL13DRB5 | FL12DRB5 | Milky white | Red or Blue |
| FL13DRG5 | FL12DRG5 | Milky white | Red or Green |

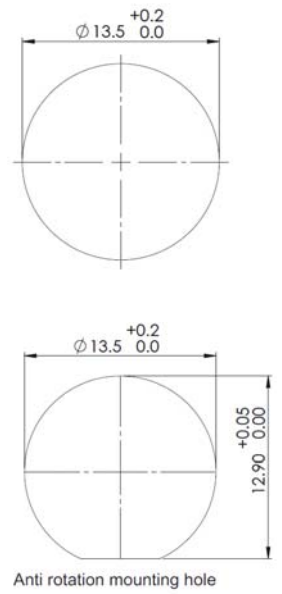
EAO Ltd
Highland House
Albert Drive
Burgess Hill
RH15 9TN
Tel 01444 236000
sales.euk@eao.com



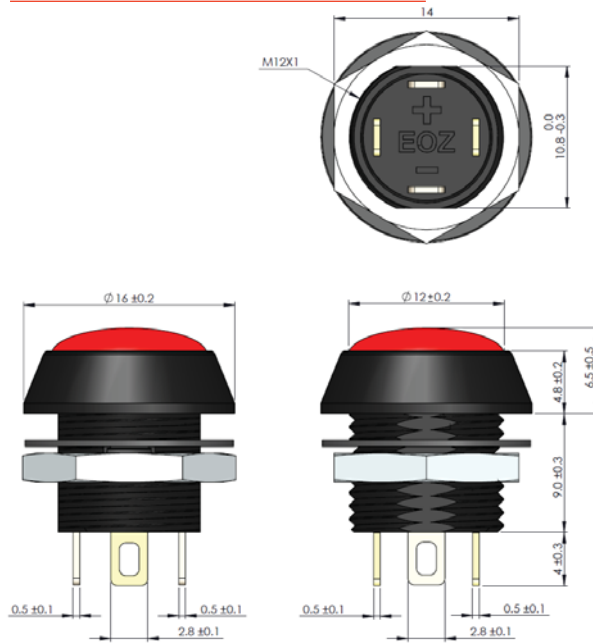
Ø13.5mm PRODUCT DRAWINGS



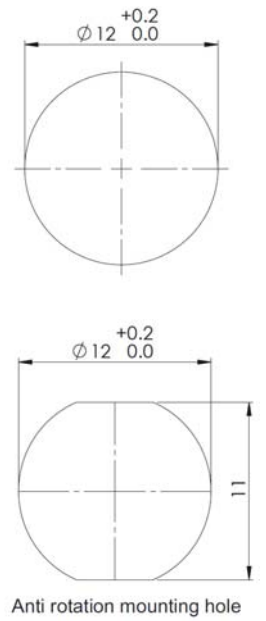
PANEL CUT OUT



Ø12mm PRODUCT DRAWINGS



PANEL CUT OUT



DIAGRAM

