

Series  
**84**  
*Halo Compact.*

[www.eao.com](http://www.eao.com)



# Series 84

## *Halo Compact.*

EAO introduces the Halo Compact, a unique and newly developed multi-functional illumination switching element which has the ability to provide the most common status indication features in a single all-in-one solution.

The new Series 84 Halo Compact provides a simple way to package up to eight different status indications into a single unit making this multi-functional, illuminated switching element suitable for a wide range of market segments such as special vehicles, machinery control panels and public environments.

This innovative, all-in-one solution is another option within EAO's award winning Series 84. These switching elements have the ability to provide ring illumination in one of five different single colours, or red/green bi-colour within the transparent bezel. Additionally a white LED can illuminate the centre of the lens.

The Halo Compact can be used to control up to eight different pre-configured lighting sequences thus providing an effective way to manage multiple functions within a single switch.



#### Typical Applications

- Machinery control panels
- Operator controls in special vehicles
- Medical equipment
- Public information kiosks and vending machines
- Access control and emergency call boxes
- Instruments for audio and video technology
- Many further applications

#### Materials

- Housing
  - Ixef 1521 nature (PA)
  - Hotmelt (sealing compound)
- Material of contact
  - Silver alloy, gold-plated

The materials used comply with the high EAO standards relating to quality, functional safety, service life and design.

#### Mechanical characteristics

- Terminals
  - Soldering / plug-in terminals 2.8 x 0.8 mm (solderable)
- Actuating force
  - 4.0N ± 0.2N (measured at the lens)
- Actuating distance
  - ~0.5 mm
- Mechanical lifetime
  - ≥ 1 million cycles of operations

#### Switching element

- Short-travel snap-action switching system with two independent contact points and tactile operation
- Number of contacts
  - One normal open contact

#### Output

- Electronic high-side switch

#### Operating voltage

- 24VDC ± 10 %
- Max. 100 mA

#### Current consumption

- < 80 mA

## Advantages.

- The all-in-one solution for commonest status indications
- Eight pre-configured light sequences
- Five different LED colours (red, green, yellow, white and blue)
- Top of the range version with bi-colour LED illumination
- Integrated electronic switch for maintained action

### Degree of protection

- IP67 front protection  
(with actuator Part No. 84-1081.7 and 84-0080.7)

### Ambient conditions

- Storage temperature  
–40°C to +85°C
- Operating temperature  
–25°C to +70°C

### Pre-configured light sequences

- Full illumination
- Blinking (interval: 1 second)
- Rotating/chasing  
(one full rotation per second)
- Process (changeover a group of 4 LEDs per second)

### Special feature

Integrated electronic switch for maintained action of illuminated pushbuttons (High-side switch)

### LED-colours

All versions available with eight SMD LEDs for halo illumination plus one single LED (3mm) for central illumination. The following variants are available:

- 8 x red LEDs + 1 white single LED
- 8 x green LEDs + 1 white single LED
- 8 x yellow LEDs + 1 white single LED
- 8 x white LEDs + 1 white single LED
- 8 x blue LEDs + 1 white single LED
- 8 x red/green Bi-colour LEDs + 1 white single LED

### Standards and directives

CE, ESD

### Switch configuration

A complete switch requires a halo compact programmable switch actuator body (transparent) and a lens. If the switch needs lens illumination in addition then a translucent plastic lens or aluminium lens with a window is required.

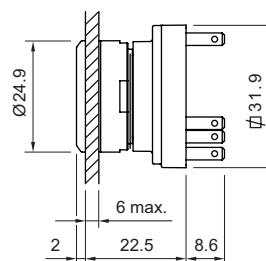
Use Halo Compact with illuminated push-button actuator (Part No. 84-1081.7) or with the indicator actuator (Part No. 84-0080.7).

The illumination style is selected by the connection of 24V to the pins.

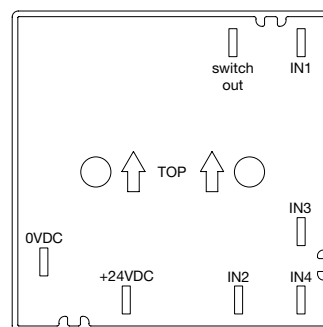
### Mounting

Quick and easy to mount: First connect cables to the non-mounted Halo Compact switching element, then plug to actuator (dismounting tool Part No. 84-918).

### Dimensions



### Terminals



# EAO Contact.

## *Your centre of excellence.*

### Headquarters

EAO Holding AG  
Tannwaldstrasse 88  
CH-4600 Olten  
Telephone +41 62 286 92 00  
info@eao.com

### Manufacturing Companies

**Switzerland**  
EAO AG  
Tannwaldstrasse 88  
CH-4600 Olten  
Telephone +41 62 286 91 11  
info@eao.com

EAO Systems AG  
Tannwaldstrasse 88  
CH-4600 Olten  
Telephone +41 62 286 91 11  
sales.esy@eao.com

**China**  
EAO (Guangzhou) Ltd.  
3/F, Block G4, South China  
New Materials Innovation Park  
31 Kefeng Road  
Guangzhou Science City  
CN-Guangzhou, PRC  
Telephone +86 20 3229 0390  
sales.ecn@eao.com

**Germany**  
EAO Automotive GmbH & Co. KG  
Richard-Wagner-Straße 3  
DE-08209 Auerbach/Vogtland  
Telephone +49 3744 8264 0  
sales.esa@eao.com

**North America**  
EAO Corporation  
One Parrott Drive  
Shelton  
US-CT 06484  
Telephone +1 203 951 4600  
sales.eus@eao.com

### Sales Companies

**China**  
EAO (Guangzhou) Ltd.  
3/F, Block G4, South China  
New Materials Innovation Park  
31 Kefeng Road  
Guangzhou Science City  
CN-Guangzhou, PRC  
Telephone +86 20 3229 0390  
sales.ecn@eao.com

EAO (Shanghai) Office  
Rm. 403, Block 5#  
CIFI Century Square, Lane 28  
NO. 21, Danba Road  
Putuo District  
CN-Shanghai, PRC  
Telephone +86 21 6095 0717  
sales.ecn@eao.com

**France**  
EAO France SAS  
5, rue Henri François  
FR-77330 Ozoir-la-Ferrière  
Telephone +33 1 64 43 37 37  
sales.efr@eao.com

**Germany, Austria,  
Poland, Czech Republic**  
EAO GmbH  
Langenberger Straße 570  
DE-45277 Essen  
Telephone +49 201 8587 0  
sales.ede@eao.com

**Hong Kong (Asia Pacific)**  
EAO (Far East) Ltd.  
Unit A1, 1/F, Block A  
Tin On Industrial Building  
777 Cheung Sha Wan Road  
Lai Chi Kok, Kln  
HK-Hong Kong  
Telephone +852 27 86 91 41  
sales.ehk@eao.com

**Italy**  
EAO Italia S.r.l.  
Centro Direzionale Summit –  
Palazzo D1  
Via Brescia 28  
IT-20063 Cernusco sul Naviglio (MI)  
Telephone +39 02 92 471934  
sales.eit@eao.com

**Japan**  
EAO Japan Co. Ltd.  
Net 1 Mita Bldg. 3F  
3-1-4 Mita Minato-ku  
JP-Tokyo 108-0073  
Telephone +81 3 5444 5411  
sales.ejp@eao.com

**Netherlands, Belgium**  
EAO Benelux B.V.  
Kamerlingh Onnesweg 46  
NL-3316 GL Dordrecht  
Telephone +31 78 653 17 00  
sales.enl@eao.com

**North America**  
EAO Corporation  
One Parrott Drive  
Shelton  
US-CT 06484  
Telephone +1 203 951 4600  
sales.eus@eao.com

**Switzerland**  
EAO Schweiz AG  
Tannwaldstrasse 86  
CH-4600 Olten  
Telephone +41 62 286 95 00  
sales.ech@eao.com

**United Kingdom, Finland,  
Ireland, Norway, Sweden**  
EAO Ltd.  
Highland House  
Albert Drive  
Burgess Hill  
GB-West Sussex RH15 9TN  
Telephone +44 1444 236 000  
sales.euk@eao.com